

TOTEM TERMINALS



Functions

Polyamide terminal with steel bolt tip for fixing sashes to the frame cross beams.

Online data sheet



Technical Features

Bolt tip suited for mounting on doors for frequent use, with cut-proof characteristics, in order to ensure a great hold on the strikers and high break-in security.

Reversible it is applied both at the top and at the bottom of the door.

Stroke is 21 mm.

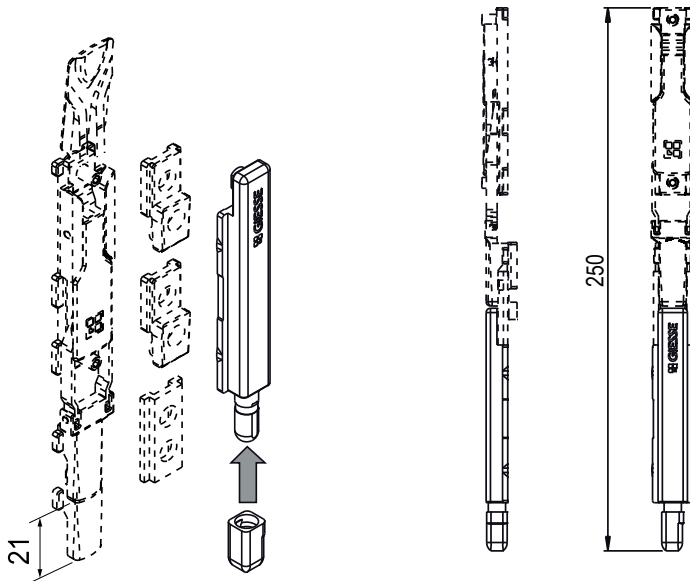
Compression adjustment +0.6 mm on the strikers with the eccentric bush provided with all versions, except for the one for groove 15x18.

Fixing to the mechanism using the connecting block supplied with the mechanism or with the specific rod in the series, cut to the desired size for the bolt extension.

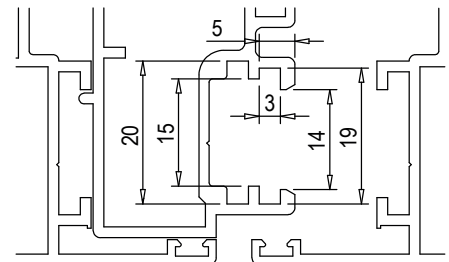
Materials

Terminal and eccentric bush covering bolt tip in polyamide

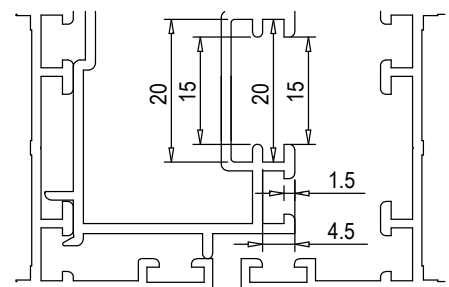
Bolt tip made of cut-proof carbonitrided steel with Giesse Silver Plus finish (up to 500 h corrosion resistance)



Sect. 2 - Groove 14x19



Sect. 3 - Groove 15x20



Item code	Description	Groove	Adjustment	Offset terminal	Dimensions bolt tip	Drawing	Base Raw	Anodised Elox	Painted	Trend/Gold Brass	Pieces per pack
02143N	TOTEM TERMINAL	15x20	+ 0.6 mm		Ø 8 mm	sect.3	X				50
02145N	TOTEM TERMINAL	14x19	+ 0.6 mm		Ø 8 mm	sect.2	X				50