

## BRIO TOP SECURITY

### Functions

Multi-lock for slider operated by a recessed handle, which allows closing with 2 (window) or 3 (door) locking points.

Online data sheet



### Technical Features

The BRIO TOP SECURITY multi-lock is fitted on sashes with 90° cuts in which the recessed handle is applied inside the tubular section.

The hardware is made of stainless steel to guarantee optimum resistance to wear. The opening and closing movement is transmitted by the recessed handle to the hardware by means of a zamak connector (versions available both for insertion and for screwing in).

The lock points engage with the counterplates on the frame (not supplied).

Brio Top Security comprises three fastening nibs and is applied to the profile at the front using self-tapping screws, the machining is simple and fast thanks to the use of a drilling template.

Not suitable for use on insulating profiles.

For the centring of the hardware use the template 02612.

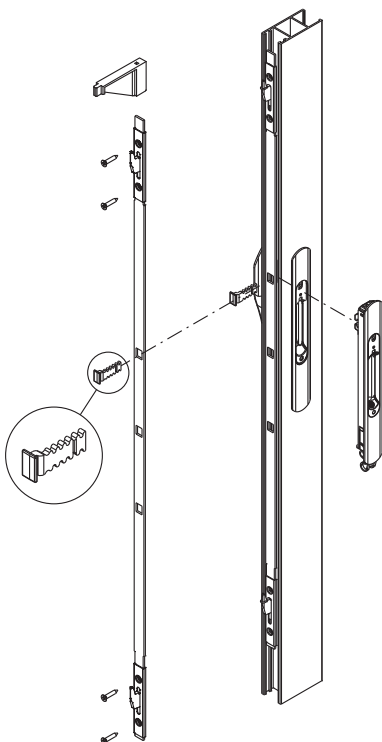
### Materials

Nib, fixing plate, multi locking rod and drive element in stainless steel.

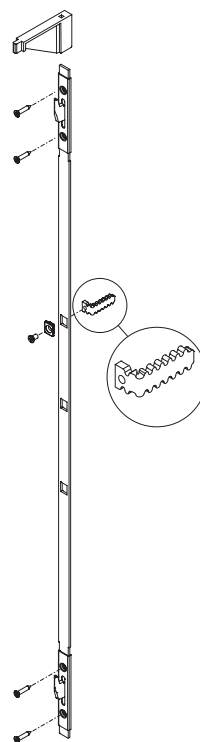
Fixing for connection elements in zinc plated zamak.

Polyamide positioning template.

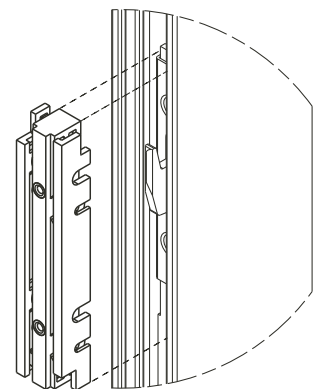
Version A: Connection to nib



Version B: Connection to nib screwed in

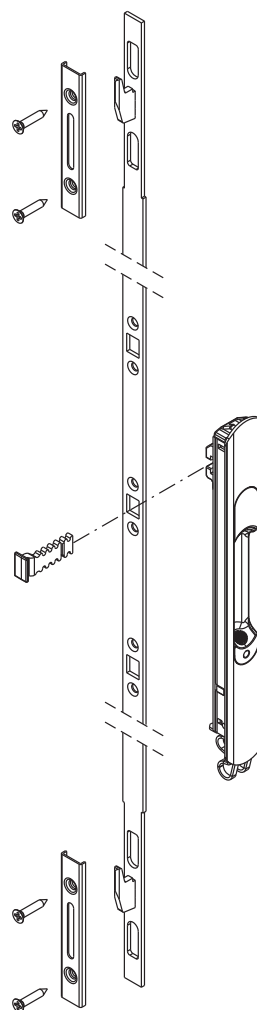
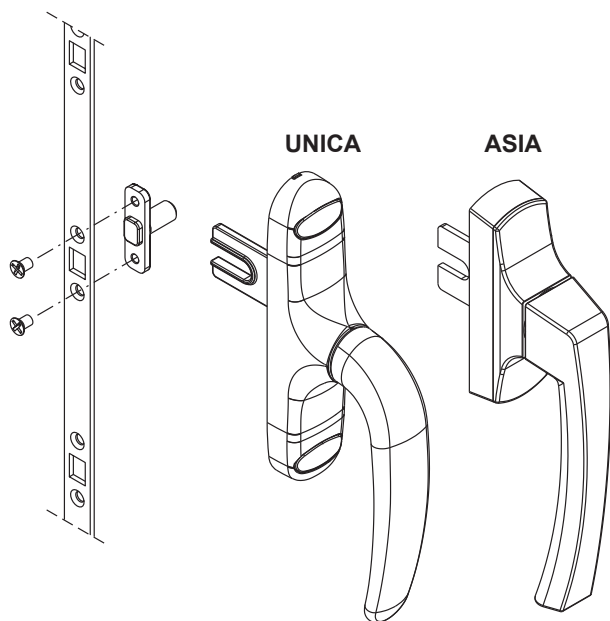


Centring template

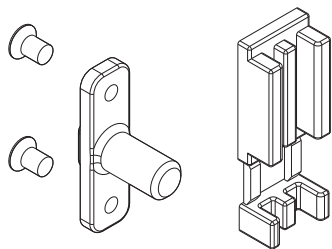


Version C: Connection to Cremone and Drive rod (04109)

Version C: Connection to Brio Evo



04109 Drive rod for Top Security multilock



Item code	Description	Sash height	Locking points	Base Raw	Anodised Elox	Painted	Trend/Gold Brass	Pieces per pack
0373301	TOP SECURITY BRIO MULTILOCK2P	800 - 1600 mm	2	X				10
0373401	TOP SECURITY BRIO MULTILOCK 3P	> 1600 mm	3	X				10
02612	BRIO MULTILOCK CENTRING TEMPLATE			X				5
04109	DRIVE ROD FOR TOP SECURITY MULTILOCK			X				20