

VARIA UNI 230 V AND VARIA 24 V



Functions

Electromechanical chain actuator for the automation of bottom-hung and top-hung windows, pivoting windows and skylights.

Technical Features

Electromechanical chain actuator with internal storage in a fibreglass-reinforced polyamide casing.

Thrust Force = 150N, Pull Force = 300N.

Suitable for bottom-hung and top-hung windows, stroke adjustable from 90 to 400 mm.

Equipped with limit switch.

With pull-out terminal board for practical and convenient wiring and an indicator light showing when the window is closed.

The mechanism chain is rust-proofed to resist the harshest application conditions.

Chain extension pins are available on request for wood and PVC windows (art. 04847 and art. 63993).

Varia actuators are available in a version for 230Vac 50/60 Hz power supply and a version for 24Vdc power supply and can be connected in parallel.

The fixing screws supplied are suitable for aluminium profiles.

Materials

External guard and terminal board access hatch in polyamide reinforced with fibreglass

Chain in steel with anti-rust surface treatment

Anodized extruded aluminium frame bracket

Bracket for top-hung window in Zamak

Bracket for bottom-hung window in fibreglass-reinforced polyamide

Chain to bracket fixing spring in harmonic steel

Both chain pin and chain fixing pin in galvanized steel

Polyamide locking insert

Chain stroke adjustment insert in acetyl resin

Guide cover insert in polyamide

Nickel-plated steel screws

Parts

One actuator

One operator to frame fixing bracket

One chain to sash fixing bracket (top-hung window)

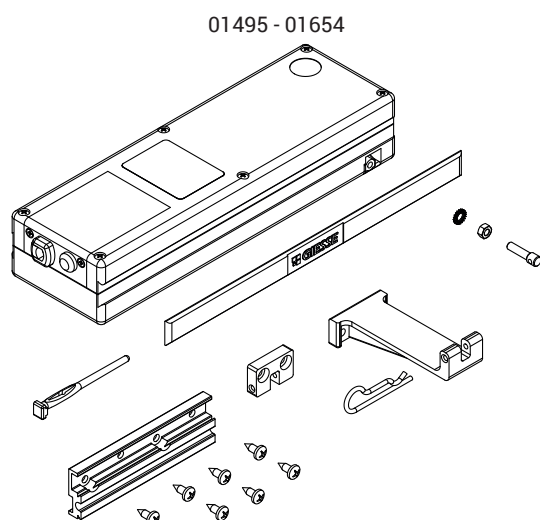
One chain to sash fixing bracket (bottom-hung window)

Fixing screws for sash and frame brackets

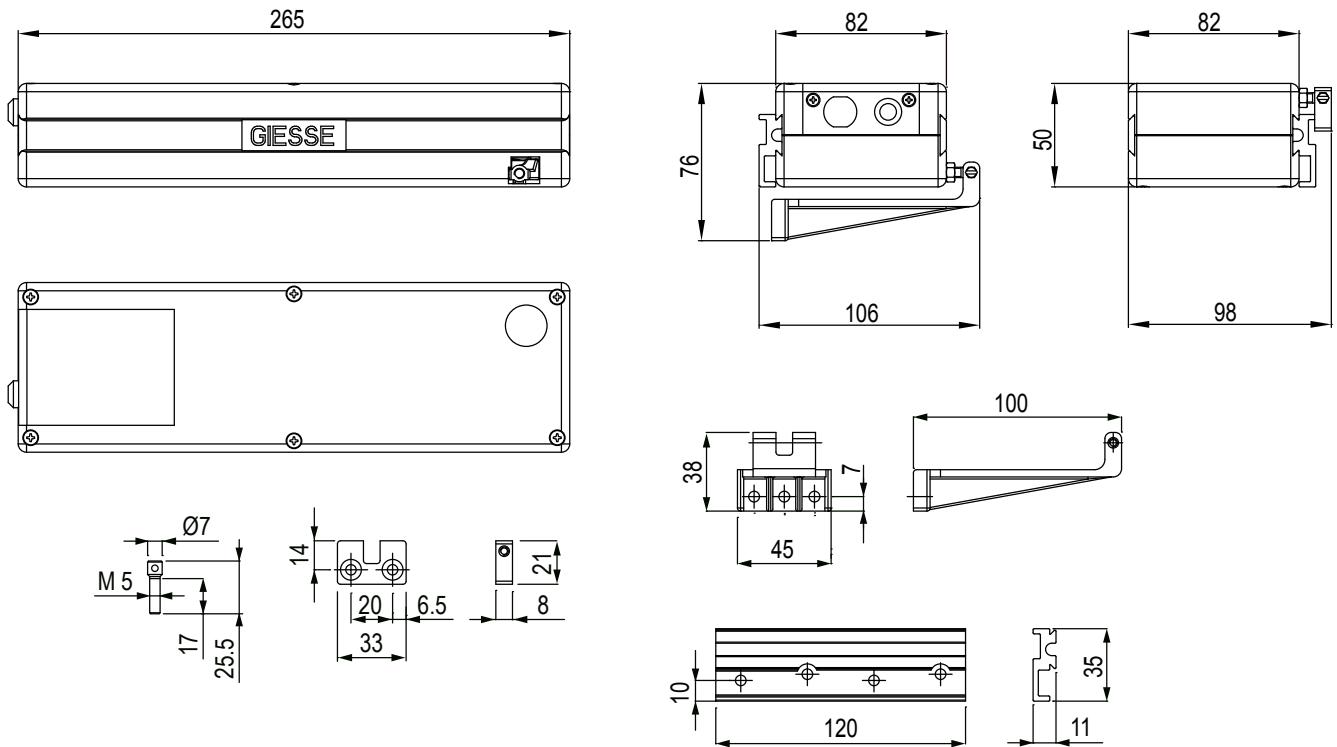
Drilling templates for bottom-hung and top-hung applications

Finish

Black (010), White (560), Grey (544), Brown (593)



CHAIN ACTUATORS



Technical data

Model	VARIA UNI	VARIA 24 V
Item code	01654	01495
Power supply voltage	230Vac	24Vdc
Thrust force	150N	150N
Pull force	300N	300N
Stroke with adjustment in 12 mm intervals	from 90 to 400 mm	from 90 to 400 mm
Idle travel speed	40 mm/sec	40 mm/sec
Front adjustment	10 mm max	10 mm max
Connection in parallel	YES	YES
Consumption	170 W	40 W
Current absorption (full load)	0.8 A	1.8 A
Frequency	50/60 Hz	50/60 Hz
Overload temperature protection	120°C	120°C
Capacitor	4 µF	4 µF
Built-in relay	YES	YES
Stroke limit indicator light	YES	YES
Pull-out terminal board	YES	YES
Protection rating	IP 20	IP 20
Operating temperature	- 20°C / + 70°C	- 20°C / + 70°C

Item code	Description	Note	Base Raw	Anodised Elox	Painted	Trend/Gold Brass	Pieces per pack
01495	VARIA 24V		X				1
01654	GIESSE VARIA 230V UNI		X				1