

VARIA SLIM



Functions

Electromechanical linear actuator with chain for automation of bottom-hung and top-hung windows, pivoting windows, skylights and other casement types.

Technical Features

The actuators in the VARIA SLIM product family are available with 24Vdc or 230Vac power supply.

The actuators in this family have a double-row 4-link articulated chain with internal collection in a fibreglass-reinforced polyamide casing.

These products are defined as "solo" versions because they operate independently and cannot be linked to additional Varia Slim actuators to create 2 (or more) thrust points.

Thrust and pull force = 300N.

Chain stroke adjustable by means of DIP switches, with lengths of 110/200/300/400 mm.

Actuators with load-dependent closing stroke cut-off function, connectable in parallel.

The products are equipped with the "soft stop" function, which provides a speed reduction in the final stroke distance, and the "relax" function, wherein the gears are released once the closed position has been reached in order to reduce mechanical stress.

The actuator is equipped with diagnostic LEDs.

The pack contains 2 types of frame fixing brackets and 2 sash fixing brackets: one for bottom-hung casements and one for top-hung casements.

Materials

Outer guard in fibreglass-reinforced polyamide

Galvanized steel chain

Brackets in fibreglass-reinforced polyamide

Stainless steel fixing clips

Parts

One actuator

Pair of operator to frame fixing brackets

Pair of operator to frame fixing brackets (vertical assembly)

One fixing bracket (sash) for bottom-hung casements

One fixing bracket (sash) for top-hung casements

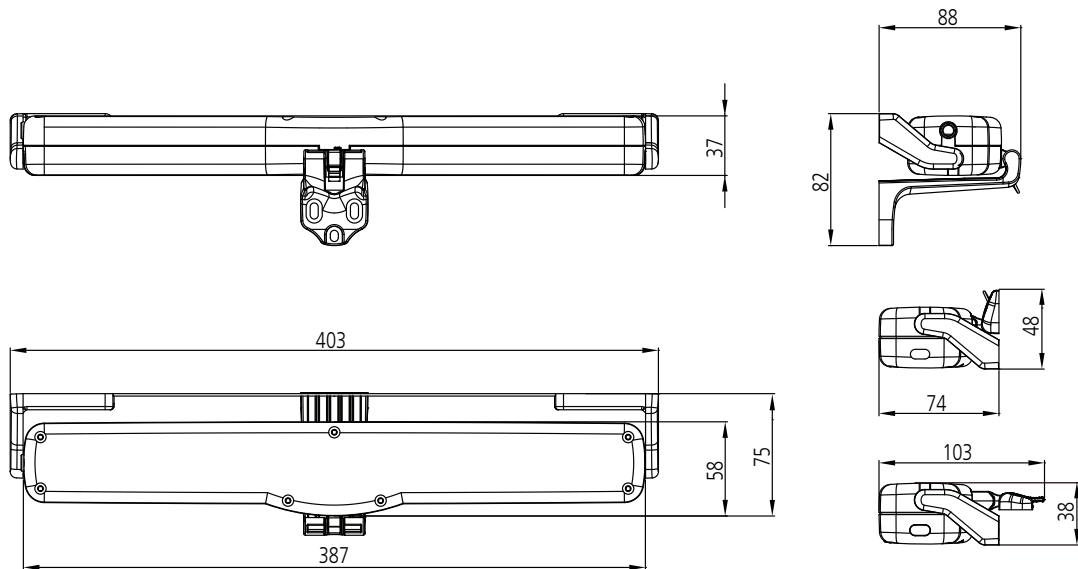
One frame brackets spacer

A drilling template for bottom-hung and top-hung applications

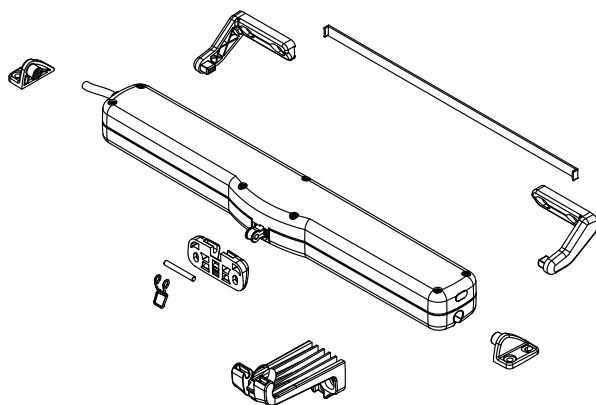
One quick-fit fixing clip (spring + pin)

Finish

Black (500) RAL 9005, White (410) RAL 9010, Grey (970) RAL 9006



07884 - 07885



Technical data

Model	VARIA SLIM - 230V	VARIA SLIM - 24V
Item code	07884	07885
Thrust and pull force	300N	300N
Stroke (mm)	110/200/300/400	110/200/300/400
Synchronization	NO	NO
Power supply voltage	230V~ 50Hz	24V =
Nominal load current input	0,115 A	0,950 A
Nominal load absorbed power	~ 25 W	~ 23 W
Idle travel speed	12,5 mm/s	12,5 mm/s
Maximum duration of idle stroke	32 s	32 s
Double electrical insulation	YES	Low Voltage
Service type	S2 3 minutes	S2 3 minutes
Operating temperature	-5 °C ÷ +65 °C	-5 °C ÷ +65 °C
Electrical devices protection rating	IP30	IP30
Soft Stop	NO	NO
Relax function	YES	YES
Casement connection adjustment	Position self-detection	Position self-detection
Connection in parallel	YES	YES
Power cable length	2 m	2 m
Opening stroke limit selection	Electronics with DIP switch adjustment	Electronics with DIP switch adjustment
Closing limit switch	Power absorption type	Power absorption type
Overload protection	Power absorption type	Power absorption type
Dimensions mm	387 x 59 x 37 mm	387 x 59 x 37 mm
Unit weight kg	0,97 Kg	0,94 Kg
Static holding force	1700N	1700N
Brackets supplied	Standard support brackets (frame) Support brackets for vertical fixing (frame) Bottom-hung window bracket (sash) Top hung window vertical bracket (sash)	Standard support brackets (frame) Support brackets for vertical fixing (frame) Bottom-hung window bracket (sash) Top hung window vertical bracket (sash)

Item code	Description	Note	Base Raw	Anodised Elox	Painted	Trend/Gold Brass	Pieces per pack
07884	VARIA SLIM 230V		X				1
07885	VARIA SLIM 24 V		X				1