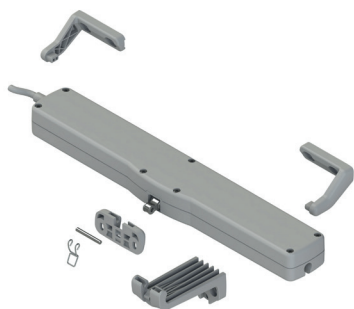


VARIA SLIM BASE



Functions

Linear electromechanical actuator with chain for automation of bottom-hung and top-hung windows, pivoting windows, skylights and other window types.

Technical Features

Electromechanical linear actuator with double-row 4-link articulated chain with internal collection in a fibreglass-reinforced polyamide casing.

Thrust and pull force = 250N.

Chain stroke adjustable by means of mechanical selector with lengths of 240/360 mm.

Equipped with load-dependent closing stroke cut-off function, connectable in parallel.

The Varia Slim Base actuator is available in two versions: one for 110/230Vac 50/60 Hz power supply and one for 24Vdc power supply.

The product is equipped with the "relax" function, consisting in release of the gears once the closing position has been reached, in order to reduce mechanical stress.

The pack contains the frame fixing brackets and two sash fixing brackets: one for bottom-hung casements and one for top-hung casements.

Materials

Outer guard in fibreglass-reinforced polyamide

Galvanized steel chain

Brackets in fibreglass-reinforced polyamide

Stainless steel fixing clips

Parts

One actuator

Pair of operator to frame fixing brackets

One fixing bracket (sash) for bottom-hung casements

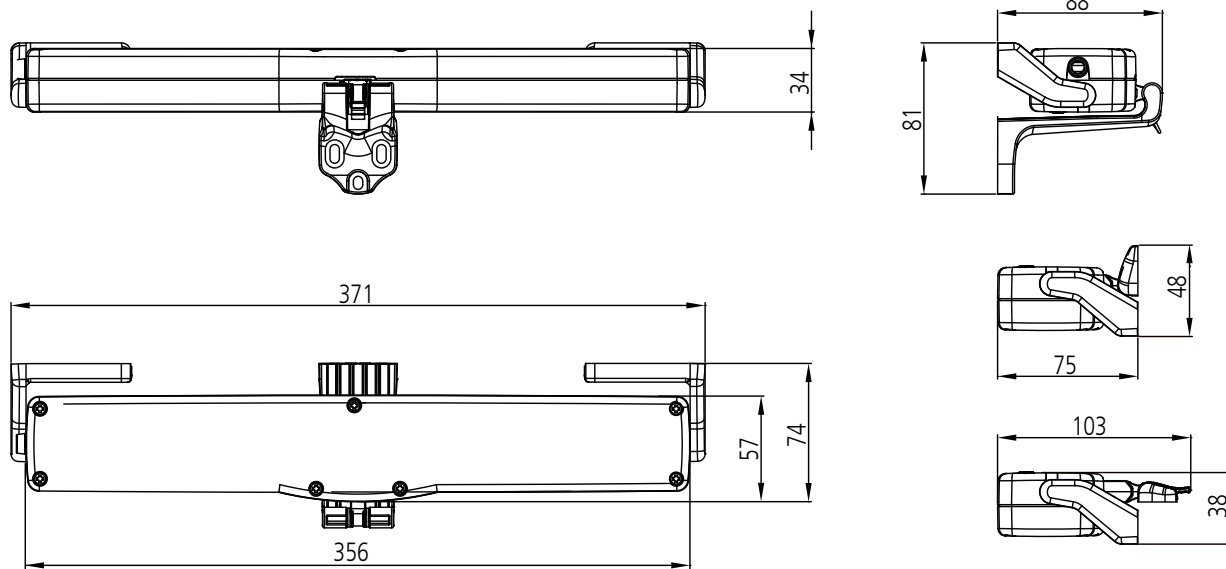
One fixing bracket (sash) for top-hung casements

A drilling template for bottom-hung and top-hung applications

One quick-fit fixing clip (spring + pin)

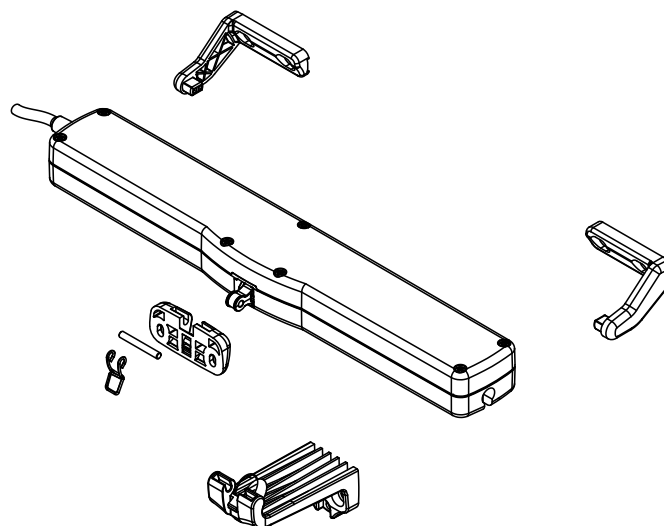
Finish

Black (590), White (560), Grey (542)



CHAIN ACTUATORS

07889 - 07890



Technical data

Model	VARIA SLIM BASE-230V	VARIA SLIM BASE-24V
Item code	07889	07890
Thrust and pull force	250N	250N
Stroke (mm)	240/360	240/360
Synchronization	NO	NO
Power supply voltage	110 ÷ 230V~ (AC) 50/60 Hz	24V= (DC)
Nominal load current input	0,180 A	0,800 A
Nominal load absorbed power	~ 30 W	~ 18 W
Idle travel speed	13,5 mm/s	12,8 mm/s
Maximum duration of idle stroke	18 s / 27 s	19 s / 28 s
Double electrical insulation	YES	Low Voltage
Service type	S2 3 minutes	S2 3 minutes
Operating temperature	-5 °C ÷ +65 °C	-5 °C ÷ +65 °C
Electrical devices protection rating	IP30	IP30
Soft Stop	NO	NO
Relax function	YES	YES
Casement connection adjustment	Position self-detection	Position self-detection
Connection in parallel	YES	YES
Power cable length	1 m	2 m
Opening stroke limit adjustment	Manual selector	Manual selector
Closing limit switch	Power absorption type	Power absorption type
Overload protection	Power absorption type	Power absorption type
Dimensions mm	356 x 57 x 34 mm	356 x 57 x 34 mm
Unit weight kg	0,84 Kg	0,82 Kg
Static holding force	1700N	1700N
Brackets supplied	Standard support brackets (frame) bottom-hung window bracket (sash) top-hung window vertical bracket (sash)	Standard support brackets (frame) bottom-hung window bracket (sash) top-hung window vertical bracket (sash)

Item code	Description	Note	Base Raw	Anodised Elox	Painted	Trend/Gold Brass	Pieces per pack
07889	VARIA SLIM BASE 230 V		X				1
07890	VARIA SLIM BASE 24V		X				1