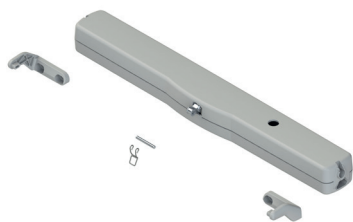


VARIA SLIM PLUS AND VARIA SLIM PLUS SYNCRO



Functions

Electromechanical linear actuators with chain for automation of bottom-hung and top-hung windows, pivoting windows, skylights and other casement types.

Technical Features

VARIA SLIM PLUS actuators are available exclusively with 24Vdc power supply.

The actuators in this family have a double-row 4-link articulated chain with internal collection in an aluminium casing (painted).

This product family is composed of:

- Varia Slim Plus 24 V in the "Solo" version, an actuator designed to function individually that cannot be connected to the other actuators in this family to create 2 or more thrust points on a window;
- Varia Slim Plus Syncro 24Vdc, composed of a pair of operators (2 pcs) generally fitted to particularly wide windows (more than 1600 mm) to obtain 2 thrust and closing points perfectly synchronized between the two operators. Suitable also for parallel openings in which opening and closing of the sash must be uniform on all 4 sides. In normal circumstances, depending on the size of the parallel opening, 2 (1 pair) or 4 actuators (2 pairs) are employed. Up to 8 (4 pairs) Varia Slim Plus Syncro 24Vdc actuators can be synchronized simultaneously to obtain 8 thrust points.

Each pair of Varia Slim Plus Syncro actuators produced by Giesse is supplied pre-synchronized. The operations required to synchronize multiple Varia Slim Plus Syncro actuators are straightforward and can be performed quickly. If required, customers can order multiple pairs of actuators that are already synchronized with one another (contact the Technical Department).

Thrust and pull force = 300N.

Chain stroke adjustable by means of DIP switches, with lengths of 200/300/500 mm.

Actuators with load-dependent closing stroke cut-off function, connectable in parallel.

The products are equipped with the "soft stop" function, which provides a speed reduction in the final stroke distance, and the "relax" function, wherein the gears are released once the closed position has been reached in order to reduce mechanical stress.

The products are equipped with diagnostic LEDs.

The pack contains 2 frame fixing brackets for each actuator while the sash fixing brackets are sold separately and must be selected on the basis of the type of casement to be automated.

Materials

Painted die-cast aluminium external guard
Galvanized steel chain
Painted Zamak frame brackets
Stainless steel fixing clips

Parts

VARIA SLIM PLUS 24 V

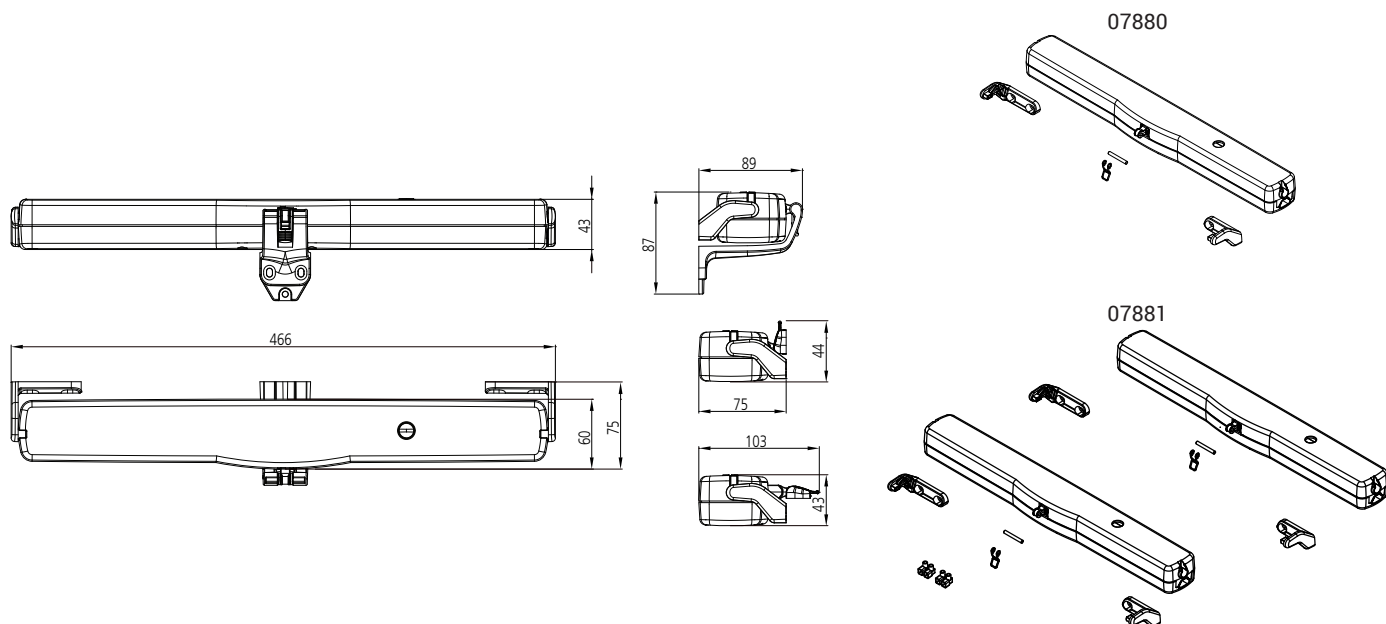
- One actuator
- Pair of operator to frame fixing brackets
- Drilling template for bottom-hung and top-hung windows
- One quick-fit clip (spring + pin)

VARIA SLIM PLUS SYNCRO 24 V

- Pair (2 pcs) of actuators
- Two pairs of operator to frame fixing brackets (vertical assembly)
- Drilling template for bottom-hung and top-hung windows
- Two quick-fit clips (spring + pin)
- Two connection terminals

Finish

Black (500) RAL 9005, White (410) RAL 9010, Grey (970) RAL 9006



Technical data

Model	VARIA SLIM PLUS	VARIA SLIM PLUS SYNCRO
Item code	07880	07881
Thrust and pull force	300N	300N
Stroke (mm)	200/300/500	200/300/500
Synchronization	NO	YES
Power supply voltage	24V DC	24V DC
Nominal load current input	0,910 A	0,910 A
Nominal load absorbed power	~ 20W	~ 20W
Idle travel speed	8,9 mm/s	8,9 mm/s
Duration of idle stroke	56 s	56 s
Double electrical insulation	Low voltage	Low voltage
Service type	S2 3 minutes	S2 3 minutes
Operating temperature	-5 ÷ 65 °C	-5 ÷ 65 °C
Electrical devices protection rating	IP 32	IP 32
Soft Stop	YES	YES
Relax function	YES	YES
Casement connection adjustment	Position self-detection	Position self-detection
Connection in parallel	SI (max 30 actuators)	SI (max 30 actuators)
Power cable length	2 m	2,5 m
Opening stroke limit selection	Electronics with DIP switch adjustment	Electronics with DIP switch adjustment
Closing limit switch	Power absorption type	Power absorption type
Dimensions mm	456 x 60 x 43	456 x 60 x 43
Unit weight kg	1,63 kg	1,63 kg
Static holding force	1700N	1700N
Brackets supplied	Standard fixing brackets for frame (sash brackets to be ordered separately)	Standard fixing brackets for frame (sash brackets to be ordered separately)

Item code	Description	Note	Base Raw	Anodised Elox	Painted	Trend/Gold Brass	Pieces per pack
07880	VARIA SLIM PLUS - 24 V				X		1
07881	VARIA SLIM PLUS SYNCRO-24V	pair			X		1