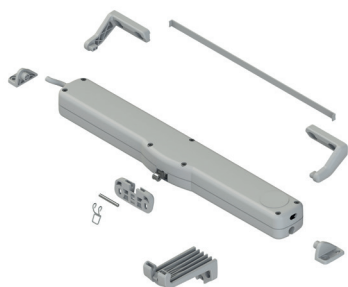


## VARIA SLIM RADIO



### Functions

Electromechanical linear actuator with chain for automation of bottom-hung and top-hung windows, pivoting windows, skylights and other casement types, with remote control facility via radio control and connectable directly to a rain sensor.

### Technical Features

Electromechanical linear actuator with double-row 4-link articulated chain with internal collection in a fibreglass-reinforced polyamide casing.

Thrust and pull force = 300N.

Chain stroke adjustable by means of DIP switches, with lengths of 100/200/300 and 400 mm.

Equipped with load-dependent closing stroke cut-off function, connectable in parallel.

The Varia Slim Radio actuator operates with a 110/230V~ (AC) 50/60 HZ power supply and it is equipped with a radio receiver (built into the actuator body) capable of receiving the opening and closing commands from radio control art. 07892 (not included).

The Varia Slim Radio actuator can be connected by cable to rain sensor art. 07894 or to rain sensor art. 07893, which transmits the signal wirelessly, without requiring an additional control unit.

The product is equipped with the "soft stop" function, which consists in speed reduction in the final stroke distance, and the "relax" function, consisting in release of the gears once the closed position has been reached, in order to reduce mechanical stress.

The actuator is equipped with diagnostic LEDs.

The pack contains 2 types of frame fixing brackets and two sash fixing brackets: one for bottom-hung casements and one for top-hung casements.

### Materials

Outer guard in fibreglass-reinforced polyamide

Galvanized steel chain

Brackets in fibreglass-reinforced polyamide

Stainless steel fixing clips

### Parts

One actuator

Pair of operator to frame fixing brackets

Pair of operator to frame fixing brackets (vertical assembly)

One fixing bracket (sash) for bottom-hung casements

One fixing bracket (sash) for top-hung casements

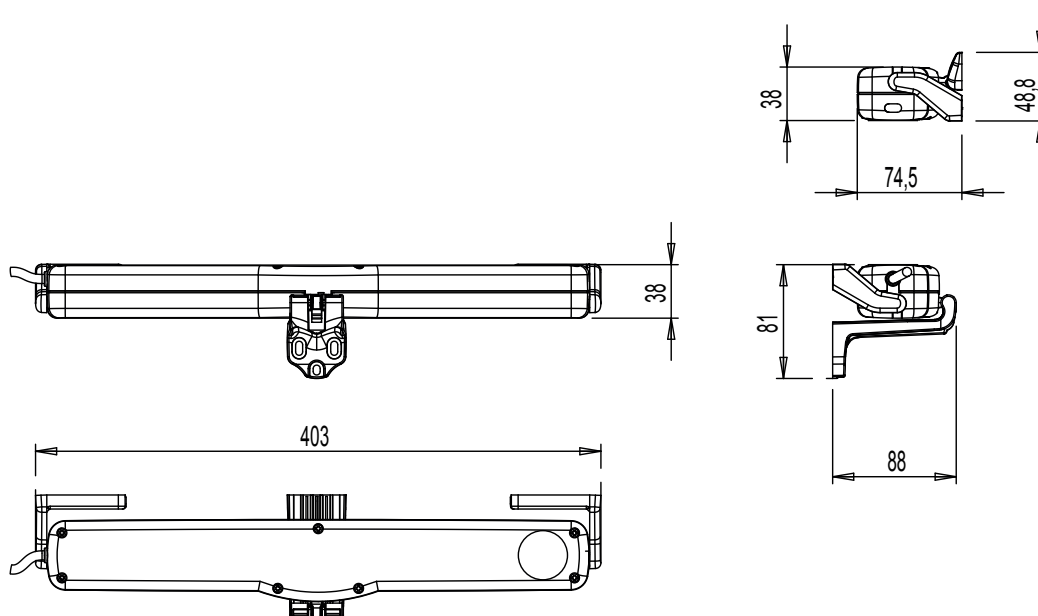
One frame brackets spacer

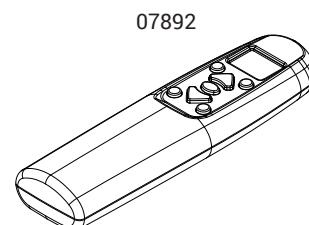
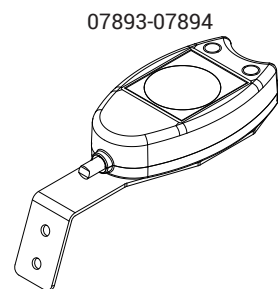
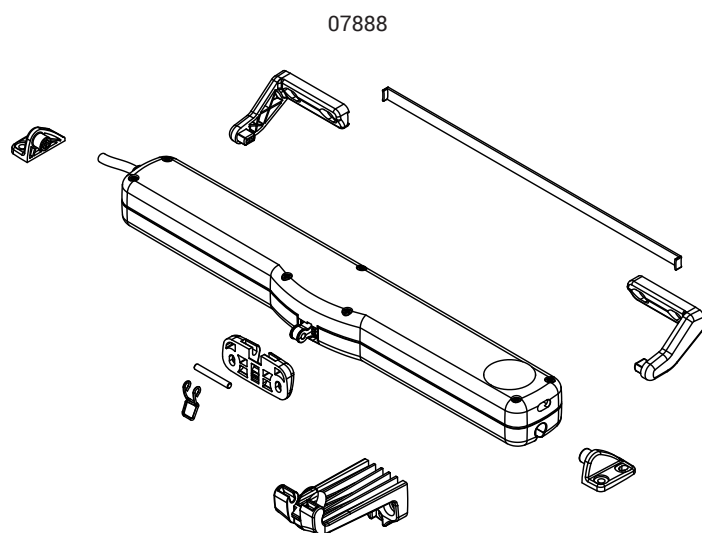
A drilling template for bottom-hung and top-hung applications

One quick-fit fixing clip (spring + pin)

### Finish

Black (590), White (560), Grey (542)





## Technical data

Model	VARIA SLIM RADIO 230V
Item code	07888
Thrust and pull force	300N
Stroke (mm)	100/200/300/400
Synchronization	NO
Power supply voltage	230V~ 50Hz
Nominal load current input	0,160 A
Nominal load absorbed power	~ 28 W
Idle travel speed	12 mm/s
Duration of idle stroke	30 s
Double electrical insulation	YES
Service type	S2 3 minutes
Operating temperature	-5 °C ÷ +65 °C
Electrical devices protection rating	IP30
Soft Stop	NO
Relax function	YES
Casement connection adjustment	Position self-detection
Connection in parallel	NO
Power cable length	2 m
Opening stroke limit selection	Electronics with DIP switch adjustment
Closing limit switch	Power absorption type
Overload protection	Power absorption type
Dimensions mm	387 x 59 x 37 mm
Unit weight kg	1,17 Kg
Static holding force	1700N
Brackets supplied	Standard support brackets (frame) Support brackets for vertical fixing (frame) Bottom-hung window bracket (sash) Top hung window vertical bracket (sash)

Item code	Description	Note	Base Raw	Anodised Elox	Painted	Trend/Gold Brass	Pieces per pack
07888	VARIA SLIM RADIO 230 V		X				1