



## VARIA SLIM SYNCRO

### Functions

Pair of electromechanical linear actuators with chain for automation of bottom-hung and top-hung windows, pivoting windows, skylights and other casement types.

### Technical Features

The actuators in the VARIA SLIM SYNCRO product family are available with 24Vdc or 230Vac power supply. Varia Slim Syncro actuators are usually applied to particularly wide (more than 1600 mm) top-hung or bottom-hung windows requiring two or more perfectly synchronized thrust points. Another compatible application is for parallel openings in which opening and closing of the sash must be uniform on all 4 sides. In normal circumstances, depending on the size of the parallel opening, 2 (1 pair) or 4 actuators (2 pairs) are employed. Up to 8 (4 pairs) Varia Syncro actuators can be synchronized simultaneously to obtain 8 thrust points. Each pair of Varia Slim Syncro actuators manufactured by Giesse is supplied pre-synchronized. The operations required to synchronize multiple Varia Slim Syncro actuators are straightforward and can be performed quickly. If required, customers can order multiple pairs of actuators that are already synchronized with one another (contact the Technical Department). The actuators in this family have a double-row 4-link articulated chain with internal collection in a fibreglass-reinforced polyamide casing. Thrust and pull force = 300N. Chain stroke adjustable by means of DIP switches, with lengths of 100/200/400 mm. Actuators with load-dependent closing stroke cut-off function, connectable in parallel. The products are equipped with the "soft stop" function, which provides a speed reduction in the final stroke distance, and the "relax" function, wherein the gears are released once the closed position has been reached in order to reduce mechanical stress. The actuator is equipped with diagnostic LEDs. The pack contains 2 types of frame fixing brackets and 2 sash fixing brackets: one for bottom-hung casements and one for top-hung casements.

### Materials

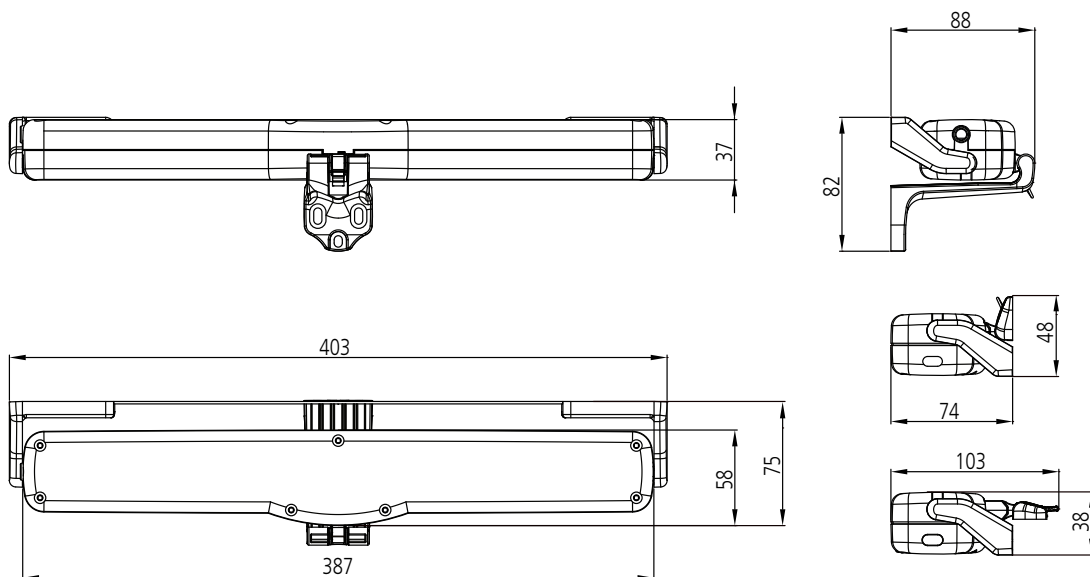
Outer guard in fibreglass-reinforced polyamide  
Galvanized steel chain  
Brackets in fibreglass-reinforced polyamide  
Stainless steel fixing clips

### Parts

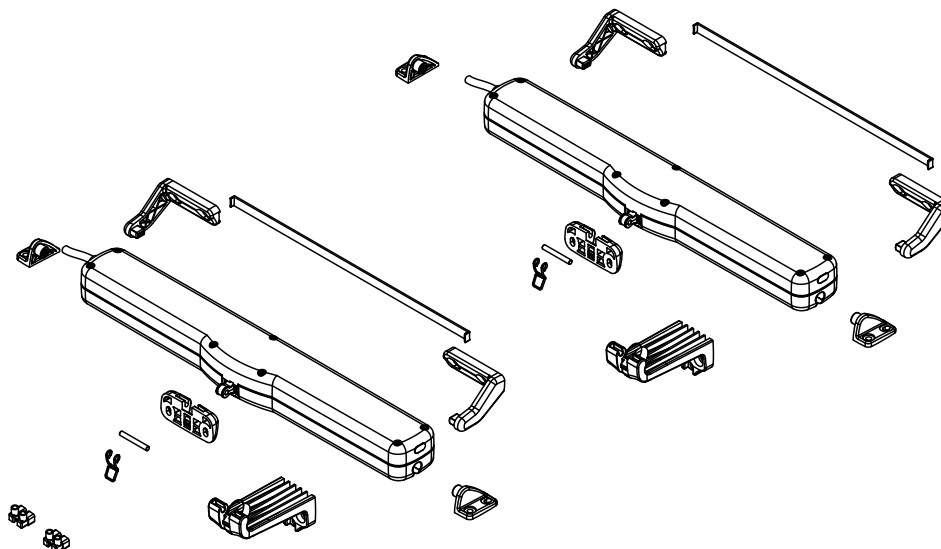
Pair of VARIA SLIM SYNCRO actuators  
Two pairs of operator to frame fixing brackets  
Two pairs of operator to frame fixing brackets (vertical assembly)  
Two fixing brackets for bottom-hung casements (sash)  
Two fixing brackets for top-hung casements (sash)  
Two frame bracket spacers  
A drilling template for bottom-hung and top-hung applications  
Two quick-fit fixing clips (spring + pin)  
Two connection terminals

### Finish

Black (590), White (560), Grey (542)



07886 - 07887



## Technical data

Model	VARIA SLIM SYNCRO-230V	VARIA SLIM SYNCRO-24V
Item code	07886	07887
Thrust and pull force	300N	300N
Stroke (mm)	100 / 200 / 400	100 / 200 / 400
Synchronization	YES	YES
Power supply voltage	230V~ 50Hz	24V =
Nominal load current input	0,115 A	0,950 A
Nominal load absorbed power	~ 25 W	~ 25W
Idle travel speed	8,5 mm/s	8,5 mm/s
Duration of idle stroke	48 s	48 s
Double electrical insulation	YES	Low Voltage
Service type	S2 3 minutes	S2 3 minutes
Operating temperature	-5 °C ÷ +65 °C	-5 °C ÷ +65 °C
Electrical devices protection rating	IP30	IP30
Soft Stop	YES	YES
Relax function	YES	YES
Casement connection adjustment	Position self-detection	Position self-detection
Connection in parallel	YES	YES
Power cable length	2,5 m	2,5 m
Opening stroke limit selection	Electronics with DIP switch adjustment	Electronics with DIP switch adjustment
Closing limit switch	Power absorption type	Power absorption type
Overload protection	Power absorption type	Power absorption type
Dimensions mm	387 x 59 x 37 mm	387 x 59 x 37 mm
Unit weight kg	1,18 Kg	1,15 Kg
Static holding force	1700N	1700N
Brackets supplied with each operator	Standard support brackets (frame) Support brackets for vertical fixing (frame) Bottom-hung window bracket (sash) Top hung window vertical bracket (sash)	Standard support brackets (frame) Support brackets for vertical fixing (frame) Bottom-hung window bracket (sash) Top hung window vertical bracket (sash)

Item code	Description	Note	Base Raw	Anodised Elox	Painted	Trend/Gold Brass	Pieces per pack
07886	VARIA SLIM SYNCRO 230 V	pair	X				1
07887	VARIA SLIM SYNCRO 24 V	pair	X				1