

VARIA TUBE 230 V

Functions

Electromechanical linear actuators with chain for automation of bottom-hung and top-hung windows, pivoting windows, skylights and other casement types.



Technical Features

TUBE 230 V AC actuators can be powered at a voltage of 110 - 230 V AC - 50/60 Hz.

This family of articles subdivides into the "Solo" and "Syncro" versions:

- Varia Tube 230 V AC in "Solo" version, created as stand-alone, which cannot be combined with other actuators in this family.

Range comprises 4 articles with different chain lengths: 300, 600, 800 and 1000 mm.

- Varia Tube RWA 230 V AC, comprising a pair of operators (2 pcs) generally fitted to particularly wide windows (more than 1600 mm) to obtain 2 thrust and closing points perfectly synchronized between the two operators. Up to 8 (4 pairs) Varia Tube 230 V AC actuators can be synchronized simultaneously to obtain 8 thrust points.

Each pair is produced ready-synchronized. The setup operations for synchronization of two or more pairs are quick and easy.

Range comprises 4 articles (pairs) with different chain lengths: 300, 600, 800 and 1000 mm.

All Varia Tube 230 V AC family actuators, in both "solo" and "syncro" version, share the following technical characteristics:

- Articulated chain of 4 stainless steel links
- Silver anodized extruded aluminum actuator body
- Thrust and pull force = 350N

Chain stroke adjustment via dip-switches:

- Varia Tube 300: preset stroke of the chain = 300 mm, selectable to 175 mm or to 100 mm.
- Varia Tube 600: preset stroke of the chain = 600 mm, selectable to 500 mm or to 400 mm.
- Varia Tube 800: preset stroke of the chain = 800 mm, selectable to 700 mm or to 600 mm.
- Varia Tube 1000: preset stroke of the chain = 1000 mm, selectable to 900 mm or to 800 mm.

Load-dependent closing stroke cut-off function and actuators connectable in parallel.

"Soft stop" function, consisting in speed reduction in the final section of the stroke.

"Relax" function, consisting in release of the gears once the closing position has been reached, in order to reduce mechanical stress.

On-board diagnostic LED.

Frame mounting brackets for each actuator always included in pack. Bracket for fixing chain to sash sold separately, to be chosen depending on the type of casement to be constructed.

Materials

Anodized extruded aluminium body.

Stainless steel chain.

Painted steel frame brackets

Stainless steel fixing clips

Parts

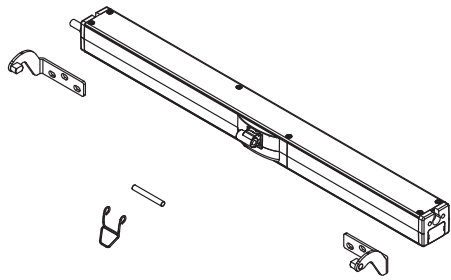
VARIA TUBE 230 V ac

- One actuator
- Pair of operator to frame fixing brackets
- One quick-fit clip (spring + pin)

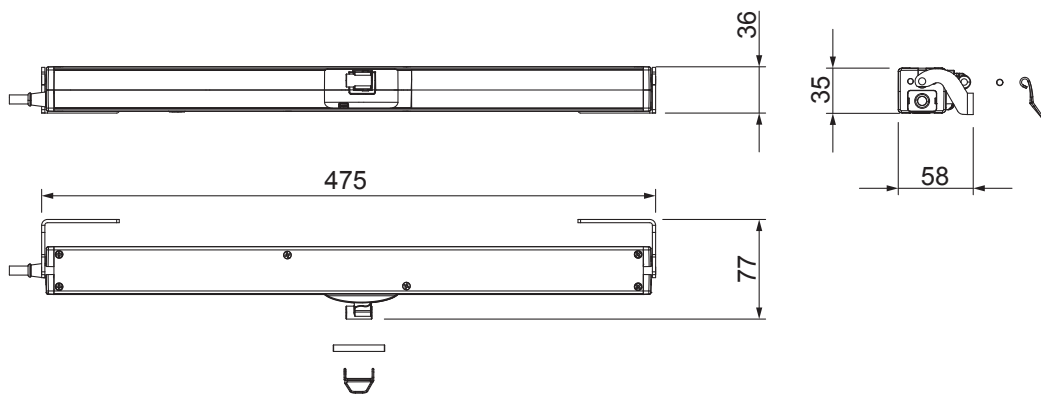
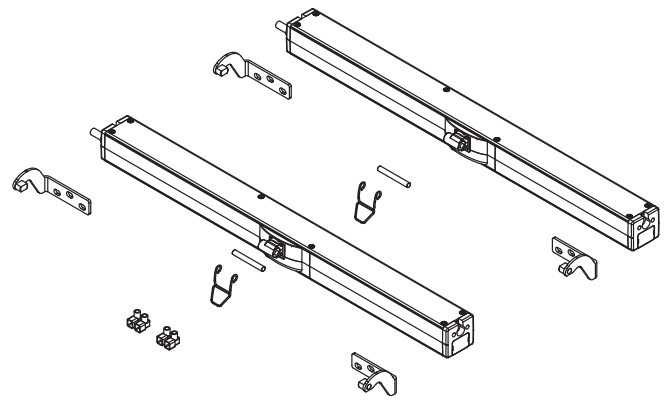
VARIA TUBE SYNCRO 230 V ac

- Pair (2 pcs) of actuators
- Two pairs of operator to frame fixing brackets
- Two quick-fit clips (spring + pin)
- Two connection terminals

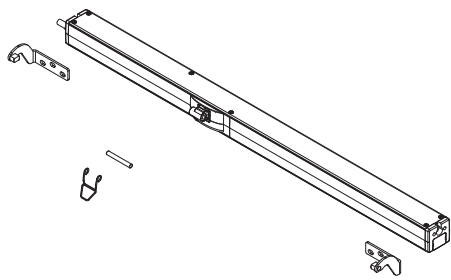
07875



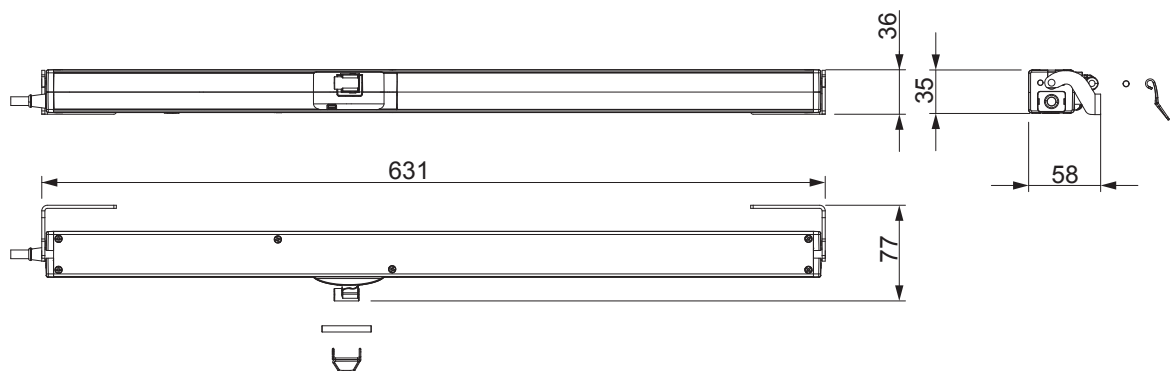
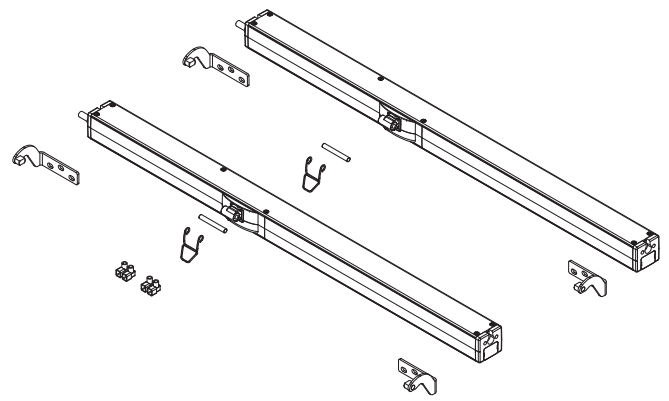
07896



07876

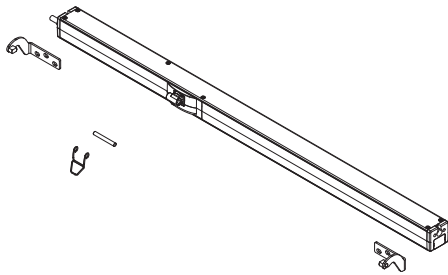


07897

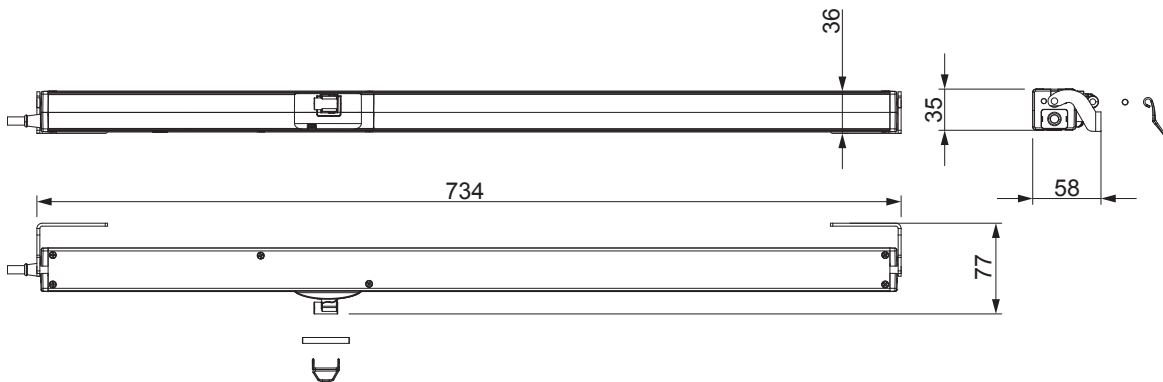
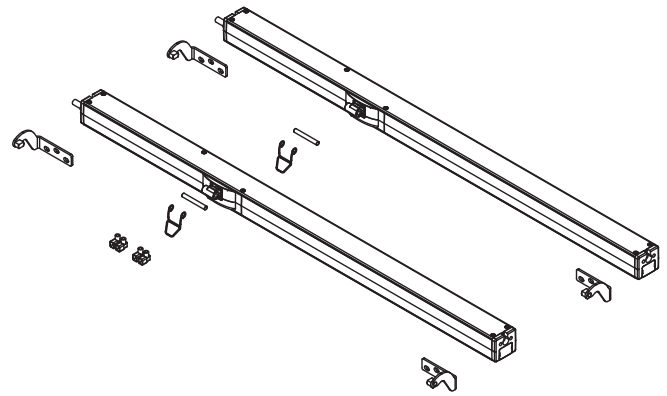


CHAIN ACTUATORS

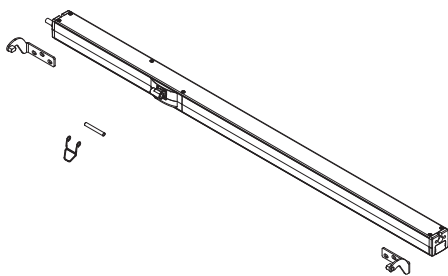
07877



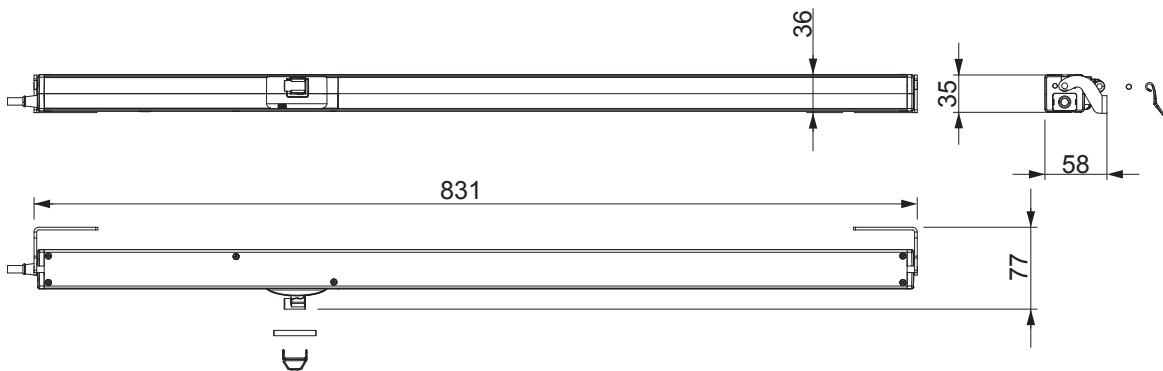
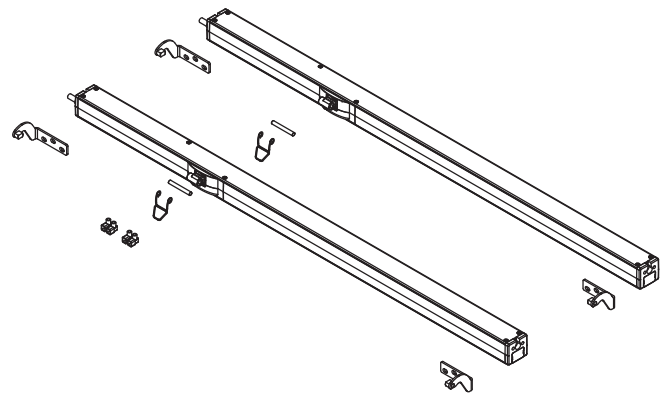
07898



07878

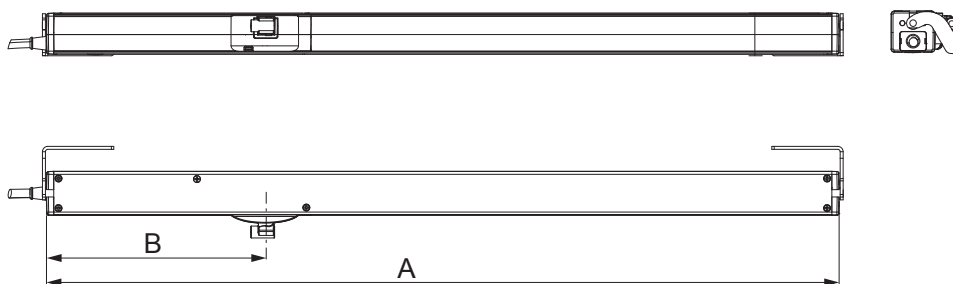


07899



Technical data

VARIA TUBE	230 V AC	SYNCRO 230 V AC
Item code	07875-07876-07877-07878	07896-07897-07898-07899
Pull force	350N	350N
Thrust force	350N	350N
Stroke (mm)	300-600-800-1000	300-600-800-1000
Syncro Technology (patented)	YES	YES
Power supply voltage	110÷230 V AC	110÷230 V AC
Frequency	50/60Hz	50/60Hz
Nominal load current	0,23 A (230V)	0,23 A (230V)
Nominal load absorbed power	29 W	29 W
Speed	11/9,6 mm/s	11/9,6 mm/s
Duration of stroke with nominal load (open)	Stroke 300/600/800/1000 = 28/54/72/90 s	Stroke 300/600/800/1000 = 28/54/72/90 s
Duration of stroke with nominal load (close)	Stroke 300/600/800/1000 = 36/67/88/109 s	Stroke 300/600/800/1000 = 36/67/88/109 s
Double electrical insulation	YES	YES
Service type	S2 of 3 min	S2 of 3 min
Operating temperature	-20 °C ÷ +70 °C	-20 °C ÷ +70 °C
Electrical devices protection rating	IP32	IP32
Soft Stop	YES	YES
Relax function	YES	YES
Casement connection adjustment	Position self-detection	Position self-detection
Connection in parallel	YES	YES
Power cable type and length	H05VV-F - 2 m	FRR/2 - 2,5 m
Opening limit stop position	Electronic with dip-switch setting	Electronic with dip-switch setting
Closing limit switch	Power absorption type	Power absorption type
Overload protection	Power absorption type	Power absorption type
Dimensions for 230 V (stroke 300/600/800/1000)	34,6x37 L=468/624/727/824 mm	34,6x37 L=468/624/727/824 mm
Static holding force	2000 N	2000 N
Weight	0,9/1,4/1,8/2,2 Kg	0,9/1,4/1,8/2,2 Kg



Item code	Description	Notes	Stroke	Length (mm) (length A)	Chain axis fixed length (length B)	Base Raw	Anodised Elox	Painted	Trend/Gold Brass	Pieces per pack
07875	VARIA TUBE 230 V - 300		300	468	245	X				1
07876	VARIA TUBE 230 V - 600		600	624	245	X				1
07877	VARIA TUBE 230 V - 800		800	727	245	X				1
07878	VARIA TUBE 230 V - 1000		1000	824	245	X				1
07896	VARIA TUBE SYNCRO 230 V - 300	pair	300	468	245	X				1
07897	VARIA TUBE SYNCRO 230 V - 600	pair	600	624	245	X				1
07898	VARIA TUBE SYNCRO 230 V - 800	pair	800	727	245	X				1
07899	VARIA TUBE SYNCRO 230 V - 1000	pair	1000	824	245	X				1