

### VARIA TUBE RWA 24 V DC



#### Functions

Electromechanical linear actuators with chain for automation of bottom-hung and top-hung windows, pivoting windows, skylights and other casement types.

#### Technical Features

VARIA TUBE RWA actuators are available exclusively with 24Vdc power supply. Actuators in this family have an articulated chain of 4 all-stainless steel links, with silver anodized aluminum body. This product family is composed of:

- Varia Tube RWA 24V in "Solo" version, created as stand-alone, which cannot be combined with other actuators in this family. Range comprises 4 articles with different chain lengths: 300, 600, 800 and 1000 mm.
- Varia Tube RWA Syncro 24Vdc, comprising a pair of operators (2 pcs) generally fitted to particularly wide windows (more than 1600 mm) to obtain 2 thrust and closing points perfectly synchronized between the two operators. Suitable also for parallel openings in which opening and closing of the sash must be uniform on all 4 sides. In normal circumstances, depending on the size of the parallel opening, 2 actuators (1 pair) or 4 actuators (2 pairs) are employed. Up to 8 (4 pairs) Varia Tube RWA Syncro 24Vdc actuators can be synchronized simultaneously to obtain 8 thrust points. As each pair is produced pre-synchronized, synchronizing several Varia Tube Syncro actuators is quick and easy. Range comprises 4 articles with different chain lengths: 300, 600, 800 and 1000 mm.

The Varia Tube 24 V RWA and Varia Tube RWA Syncro 24Vdc actuators are designed to pass the heat and fire resistance tests prescribed by EN 12101-2:2003-09, with classification B300.

Thrust and pull force = 350N.

Varia Tube RWA 24V stroke limit adjustment with dip-switch:

- Varia Tube 300: preset stroke of the chain = 300 mm, selectable to 175 mm or to 100 mm.
- Varia Tube 600: preset stroke of the chain = 600 mm, selectable to 500 mm or to 400 mm.
- Varia Tube 800: preset stroke of the chain = 800 mm, selectable to 700 mm or to 600 mm.
- Varia Tube 1000: preset stroke of the chain = 1000 mm, selectable to 900 mm or to 800 mm.

Actuators with load-dependent closing stroke cut-off function, connectable in parallel.

The products are equipped with the "soft stop" function, which provides a speed reduction in the final stroke distance, and the "relax" function, wherein the gears are released once the closed position has been reached in order to reduce mechanical stress.

The products are equipped with diagnostic LEDs.

The pack contains 2 frame fixing brackets for each actuator while the sash fixing brackets are sold separately and must be selected on the basis of the type of casement to be automated.

Varia Tube 24V RWA actuators (Solo and Syncro) can be combined with the Tube Lock 24V perimeter lock.

#### Materials

Anodized extruded aluminium body.  
Stainless steel chain.  
Painted steel frame brackets  
Stainless steel fixing clips

#### Parts

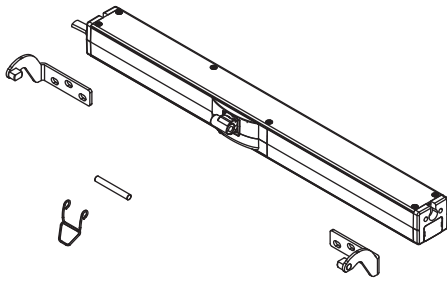
VARIA TUBE RWA 24V

- One actuator
- Pair of operator to frame fixing brackets
- One quick-fit clip (spring + pin)

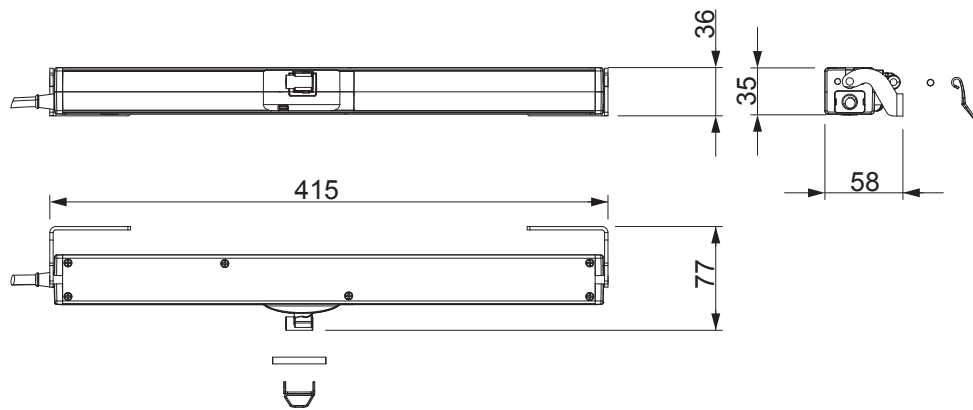
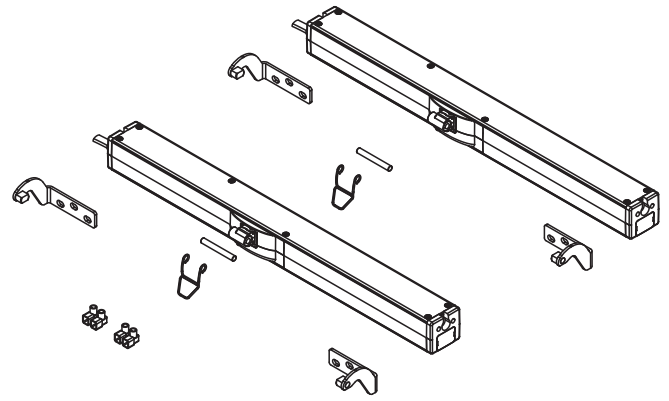
VARIA TUBE RWA SYNCRO 24V

- Pair (2 pcs) of actuators
- Two pairs of operator to frame fixing brackets
- Two quick-fit clips (spring + pin)
- Two connection terminals

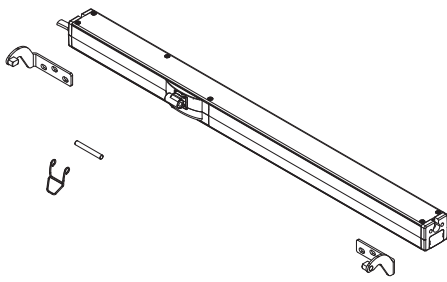
07804



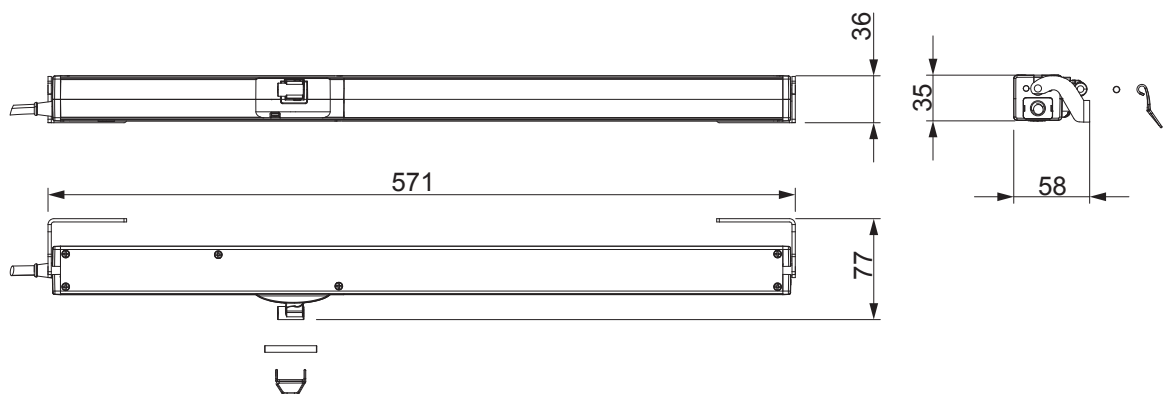
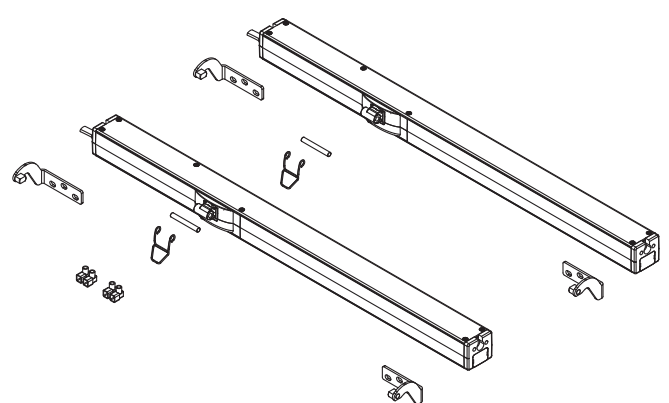
07815



07805

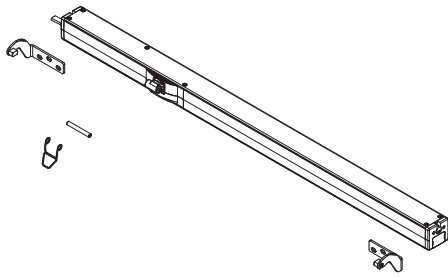


07816

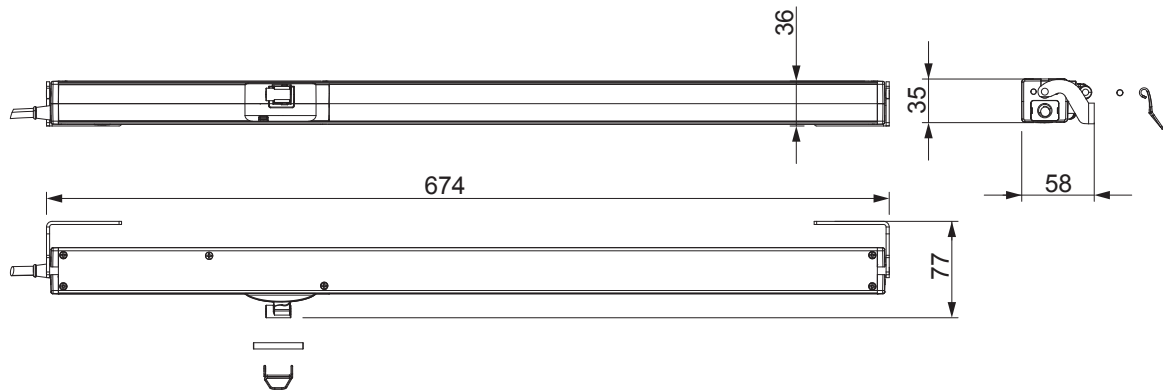
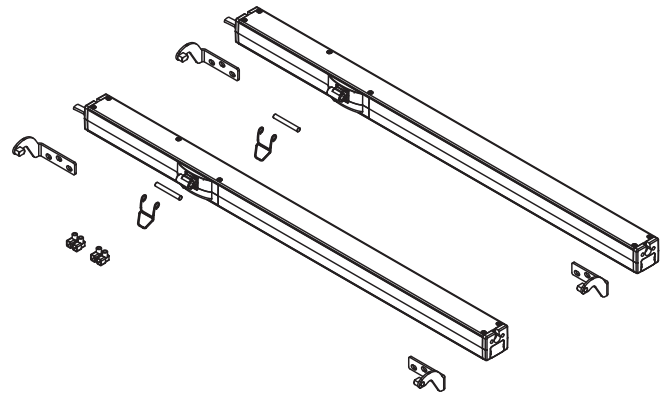


# CHAIN ACTUATORS

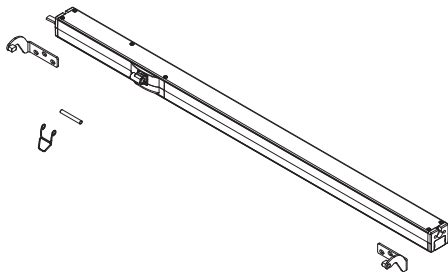
07806



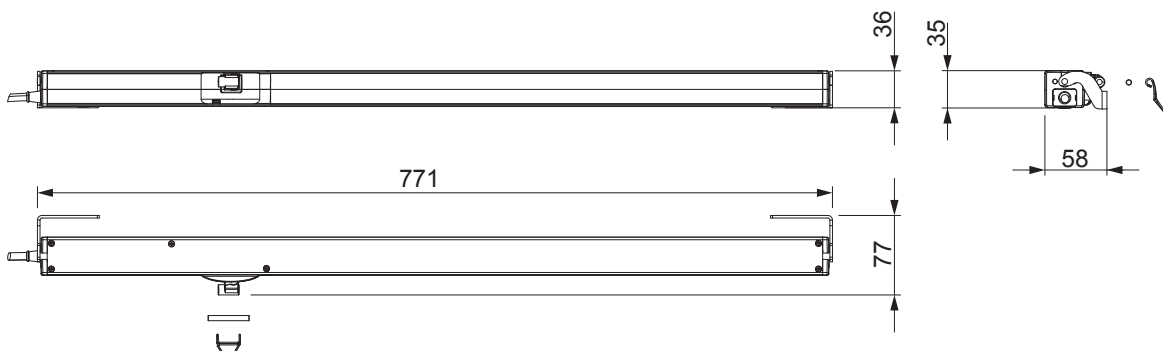
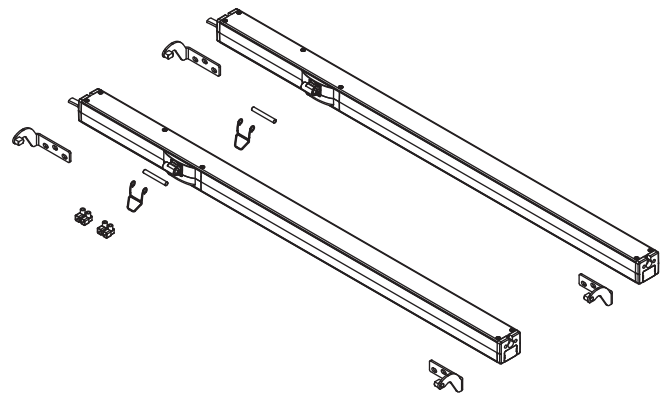
07817



07807

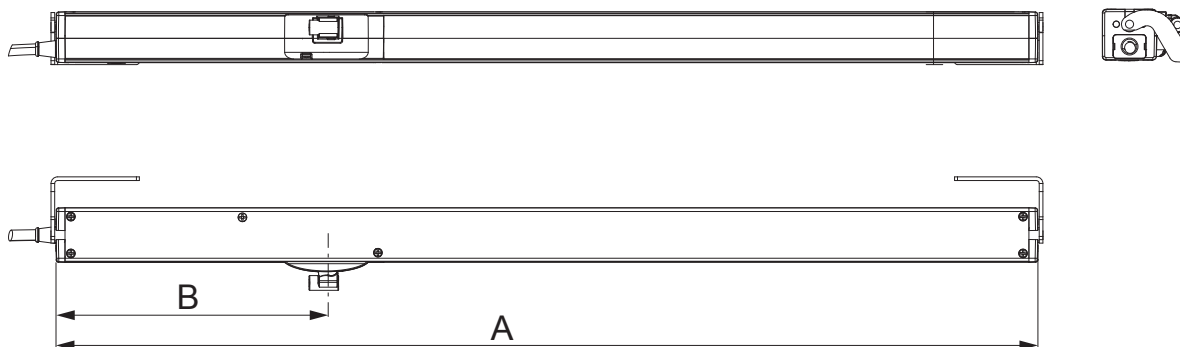


07818



## Technical data

VARIA TUBE	24 V DC	SYNCRO 24 V DC
Item code	07804-07805-07806-07807	07815-07816-07817-07818
Pull force	350N	350N
Thrust force	350N	350N
Stroke (mm)	300-600-800-1000	300-600-800-1000
Syncro Technology (patented)	YES	YES
Power supply voltage	24 V DC	24 V DC
Frequency	-	-
Nominal load current	0,80 A	0,80 A
Nominal load absorbed power	19,2 W	19,2 W
Speed	11/9,6 mm/s	11/9,6 mm/s
Duration of stroke with nominal load (open)	Stroke 300/600/800/1000 = 28/54/72/90 s	Stroke 300/600/800/1000 = 28/54/72/90 s
Duration of stroke with nominal load (close)	Stroke 300/600/800/1000 = 36/67/88/109 s	Stroke 300/600/800/1000 = 36/67/88/109 s
Double electrical insulation	B.T.	B.T.
Service type	S2 of 3 min	S2 of 3 min
Operating temperature	-20 °C ÷ +70 °C	-20 °C ÷ +70 °C
Electrical devices protection rating	IP32	IP32
Soft Stop	YES	YES
Relax function	YES	YES
Casement connection adjustment	Position self-detection	Position self-detection
Connection in parallel	YES	YES
Power cable type and length	H05VV-F - 2 m	FRR/2 - 2,5 m
Opening limit stop position	Electronic with dip-switch setting	Electronic with dip-switch setting
Closing limit switch	Power absorption type	Power absorption type
Overload protection	Power absorption type	Power absorption type
Dimensions for 24 V (stroke 300/600/800/1000)	34,6x37 L=408/624/667/764 mm	34,6x37 L=408/624/667/764 mm
Static holding force	2000 N	2000 N
Weight	0,8/1,3/1,7/2,1 Kg	0,8/1,3/1,7/2,1 Kg



Item code	Description	notes	Stroke	Length (mm) (length A)	Chain axis fixed length (length B)	Base Raw	Anodised Elox	Painted	Trend/Gold Brass	Pieces per pack
07804	VARIA TUBE RWA 24 V - 300		300	408	185	X				1
07805	VARIA TUBE RWA 24 V - 600		600	564	185	X				1
07806	VARIA TUBE RWA 24 V - 800		800	667	185	X				1
07807	VARIA TUBE RWA 24 V - 1000		1000	764	185	X				1
07815	VARIA TUBE RWA SYNCRO 24 V - 300	pair	300	408	185	X				1
07816	VARIA TUBE RWA SYNCRO 24 V - 600	pair	600	564	185	X				1
07817	VARIA TUBE RWA SYNCRO 24 V - 800	pair	800	667	185	X				1
07818	VARIA TUBE RWA SYNCRO 24 V - 1000	pair	1000	764	185	X				1