



BLIND INTERNAL RECESS PULL HANDLE

Functions

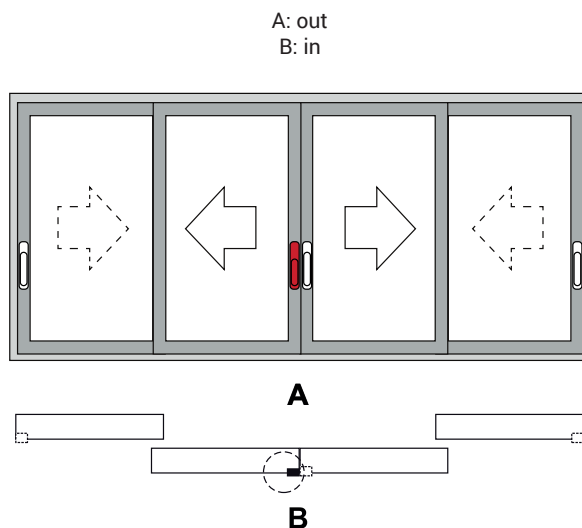
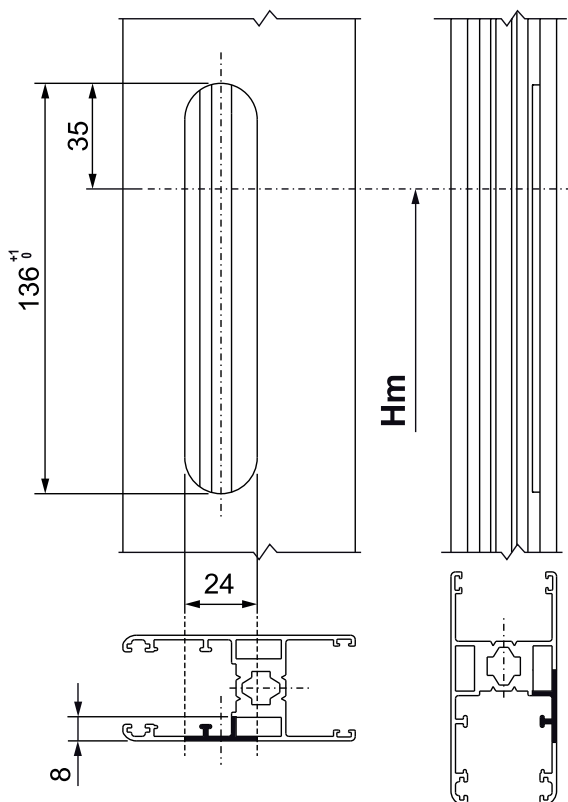
Blind recess handle to be applied on the opposite sash which has the sole function of drawing.

Online data sheet



Materials

Die-cast zamak coupling teeth and body
Stainless steel locking grub screw



Item code	Description	Applicable	Notes	Base Raw	Anodised Elox	Painted	Trend/Gold Brass	Pieces per pack
02765	BLIND INTERNAL RECESS PULL HANDLE	internal	Opposing sashes	X		X	X	8