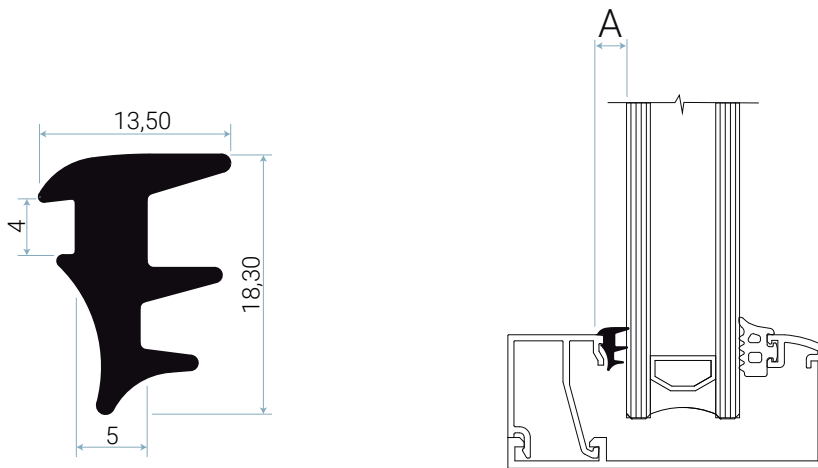


22335



Technical specification

A: Inner Glass Bead Seal Gap 8 mm

Colours

- Graphite Black (≈ RAL 9011)

Packaging

- 100 m x 1

Coil



Schlegel Ltd

Unit 25, Henlow Industrial Estate, Henlow Camp, Bedfordshire, SG16 6DS United Kingdom

All dimensions are in mm and are nominal. Schlegel reserve the right to change specification without prior notice.

Schlegel's names and logos and all related trademarks (including 'SCHLEGEL', 'SCHLEGEL Red Square Logo', 'Red Square Logo' and 'Q-Lon'), trade names, and other intellectual property are the property of Schlegel Acquisition Holdings Limited trading as Schlegelgiesse and cannot be used without its express prior written permission. All rights reserved.