

# EXTRUDED SEALS:

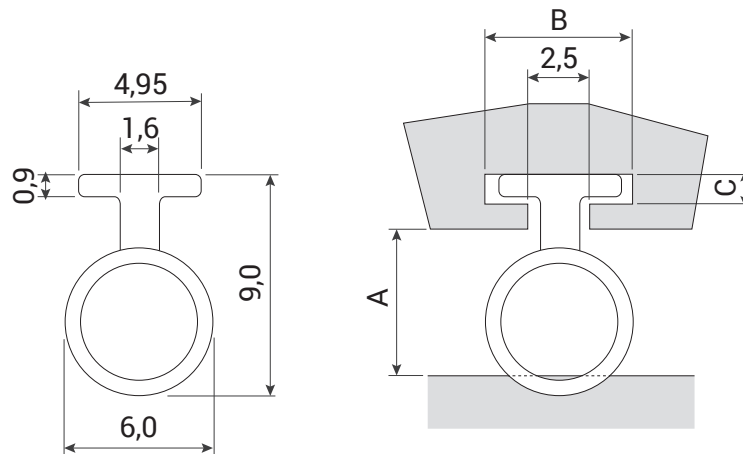
# LP 1077 (26015)

## TECHNICAL SPECIFICATION

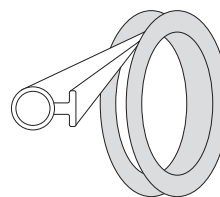
- A** Seal gap: 4,5 mm minimum to 6,0 mm maximum
- B** Groove width: 6,0 mm nominal
- C** Minimum groove depth: 1,3 mm

## PACKAGING

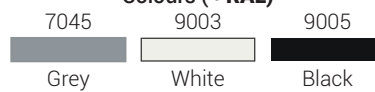
400 m x 2



Coil direction



Colours (≈ RAL)



Other colours upon request