

SLIDING SEALS

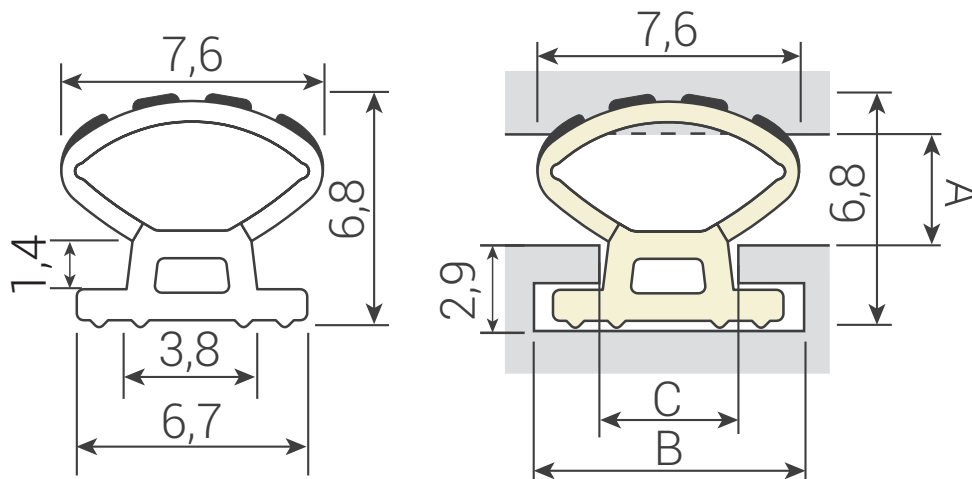
**LT 1509
(26990)**

TECHNICAL SPECIFICATION

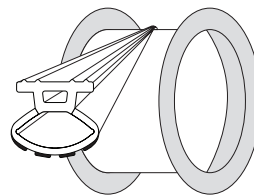
- A** Seal gap: 3,0 mm minimum to 3,5 mm maximum
- B** Groove width: 7 mm nominal
- C** Throat width: 4 - 4,5 mm

PACKAGING

500 m x 1



Coil direction



Colours (\approx RAL)

7024



Graphite
Grey