

# EXTRUDED PROFILES FOR TIMBER DOORS AND WINDOWS

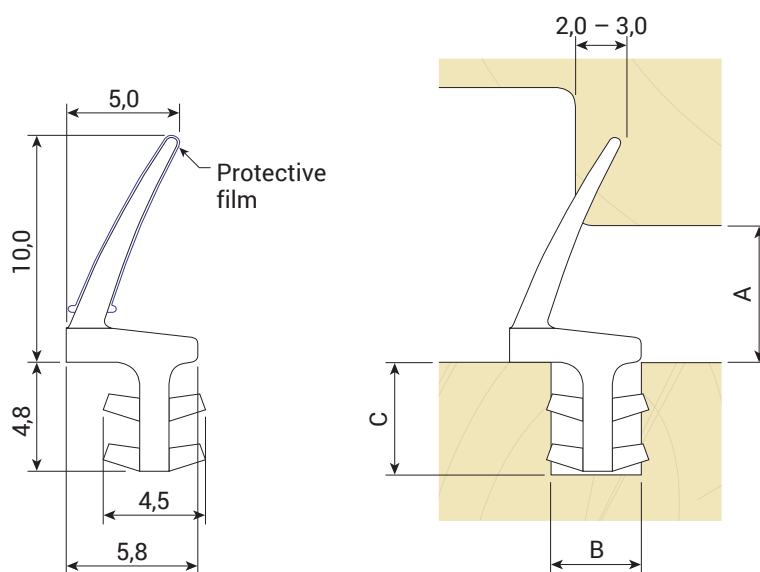
LV 1305  
(DX 1305)  
27557

## TECHNICAL SPECIFICATION

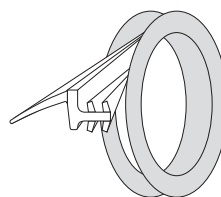
- A Seal gap: 5,0 mm minimum to 7,0 mm maximum
- B Groove width: 4,0 mm
- C Minimum groove depth: 5,0 mm

## PACKAGING

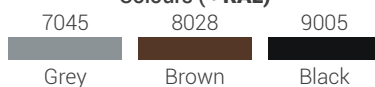
300 m x 1



Coil direction



### Colours (≈ RAL)



Other colours upon request