

# EXTRUDED PROFILES FOR TIMBER DOORS AND WINDOWS

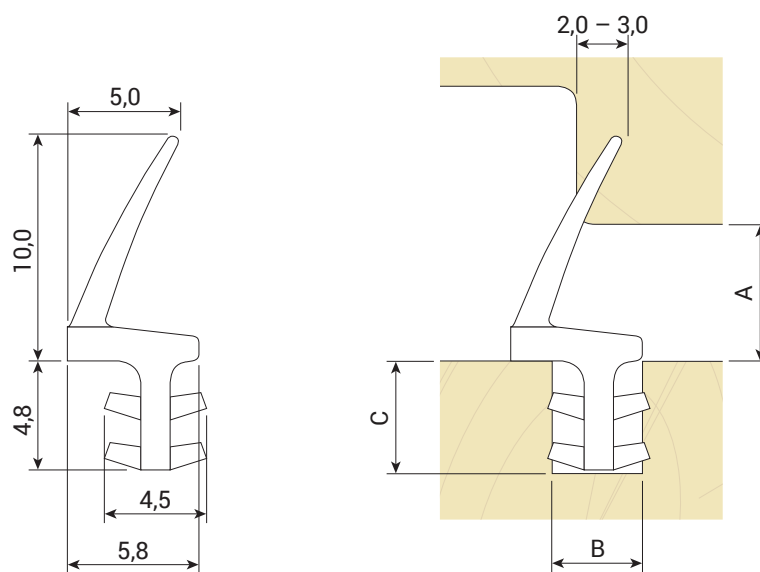
LV 1306  
(DX 1306)  
27566

## TECHNICAL SPECIFICATION

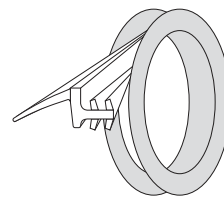
- A** Seal gap: 5,0 mm minimum to 7,0 mm maximum
- B** Groove width: 4,0 mm
- C** Minimum groove depth: 5,0 mm

## PACKAGING

300 m x 1



Coil direction



Colours ( $\approx$  RAL)

9005



Black

Other colours upon request

07/2024 - V00

