

LOZARON PVC SEALS: FOR TIMBER INTERNAL DOORS

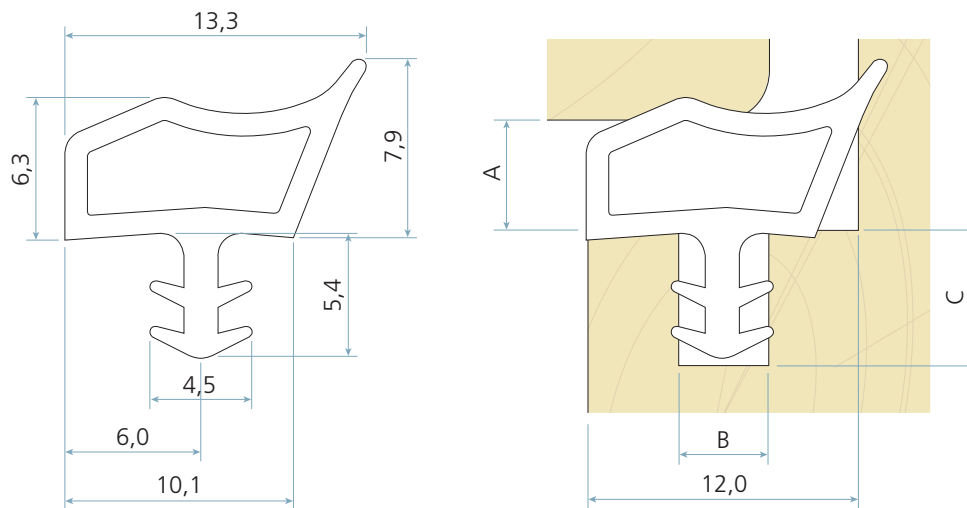
LV 1481 (DX 1481)

TECHNICAL SPECIFICATION

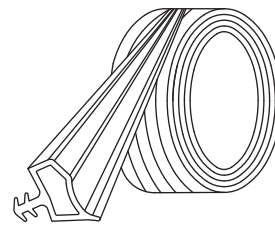
- A** Seal gap: 5,0 mm
 - B** Groove width: 4,0 mm nominal
 - C** Minimum groove depth: 6,0 mm
- Rebate dimension: 12,0 mm

PACKAGING

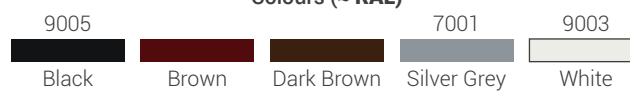
50 m x 1



Coil direction



Colours (≈ RAL)



Other colours upon request