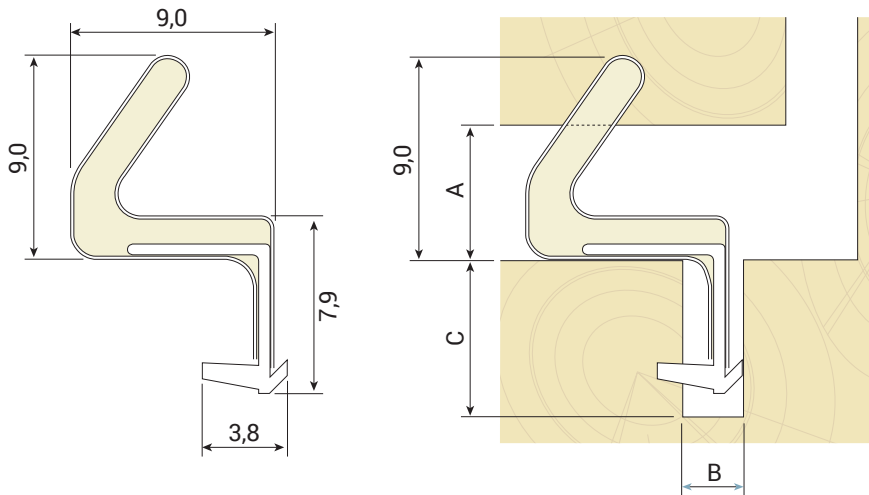


## TECHNICAL SPECIFICATION

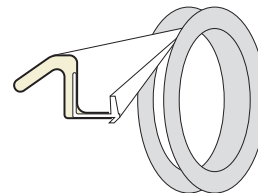
- A** Seal gap: 3,0 mm minimum to 7,5 mm maximum
  - B** Groove width: 3,0 – 3,3 mm nominal
  - C** Minimum groove depth: 7,0 mm
- Rebate dimension: 9,0 mm

## PACKAGING

300 m x 2



Coil direction



Colours (≈ RAL)			
7001	8019	9003	9005
Silver Grey	Brown	White	Black

Other colours upon request