

Q-LON POLYURETHANE FOAM SEALS: FOR TIMBER WINDOWS

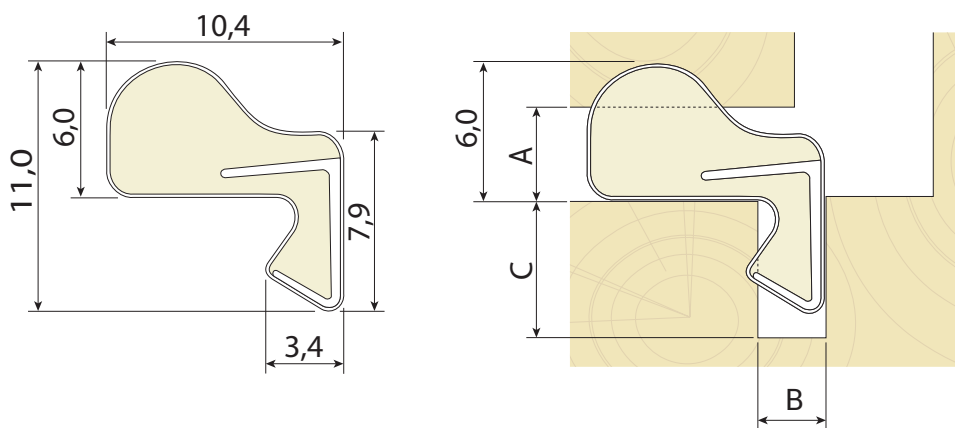
QL 3004
(AQ99)
2Q014

TECHNICAL SPECIFICATION

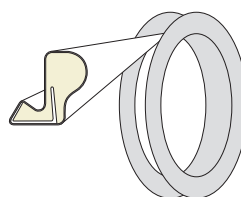
- A** Seal gap: 3,0 mm minimum to 5,0 mm maximum
 - B** Groove width: 2,7 – 3,0 mm nominal
 - C** Minimum groove depth: 6,0 mm
- Rebate dimension: 10,5 mm

PACKAGING

350 m x 2



Coil direction



Colours (≈ RAL)

7001	8019	9003	9005
Silver Grey	Brown	White	Black

Other colours upon request