

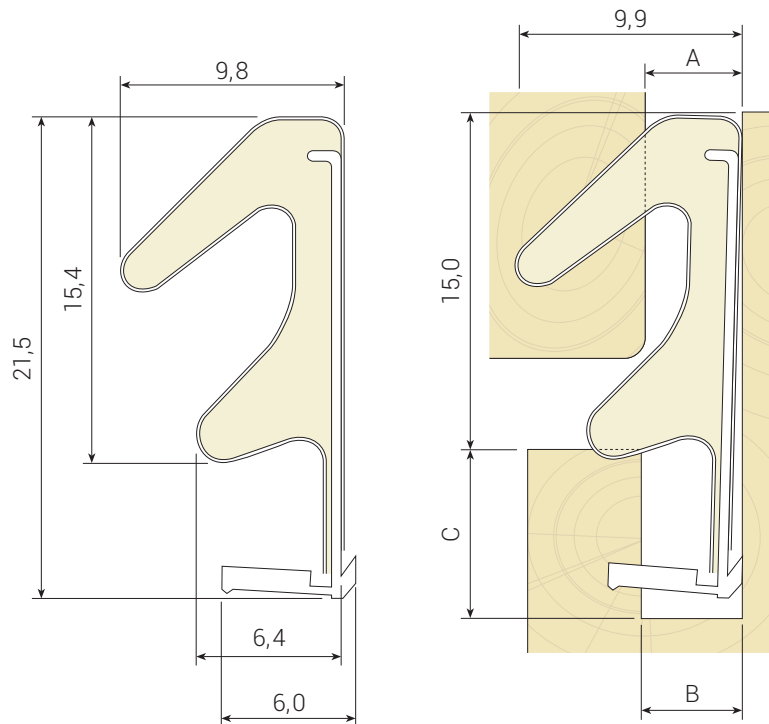
TECHNICAL SPECIFICATION

- A** Seal gap: 4,0 mm minimum to 8,0 mm maximum
- B** Groove width: 4,0 – 5,0 mm nominal
- C** Minimum groove depth: 7,5 mm
- Rebate dimension: 15,0 mm

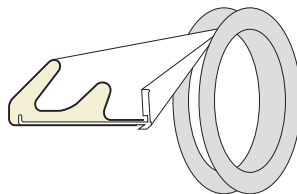


PACKAGING

150 m x 2 / 400 m x 1



Coil direction



Colours (≈ RAL)			
9003	9005	8019	7001
White	Black	Brown	Silver Grey

Other colours upon request