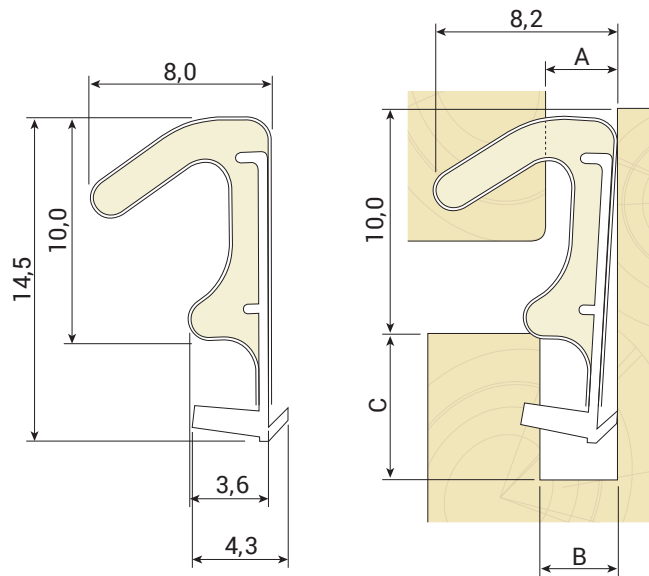


TECHNICAL SPECIFICATION

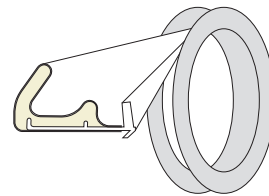
- A** Seal gap: 3,0 mm minimum to 6,0 mm maximum
- B** Groove width: 3,5 – 4,0 mm nominal
- C** Minimum groove depth: 6,5 mm
- Rebate dimension: 10,0 mm

PACKAGING

250 m x 2



Coil direction



Colours (≈ RAL)			
7001	8019	9003	9005
Silver Grey	Brown	White	Black

Other colours upon request