

Q-LON POLYURETHANE FOAM SEALS: WINDOWS

QL 3099
2Q217

TECHNICAL SPECIFICATION

A Seal gap: 4,0 mm minimum to 7,5 mm maximum

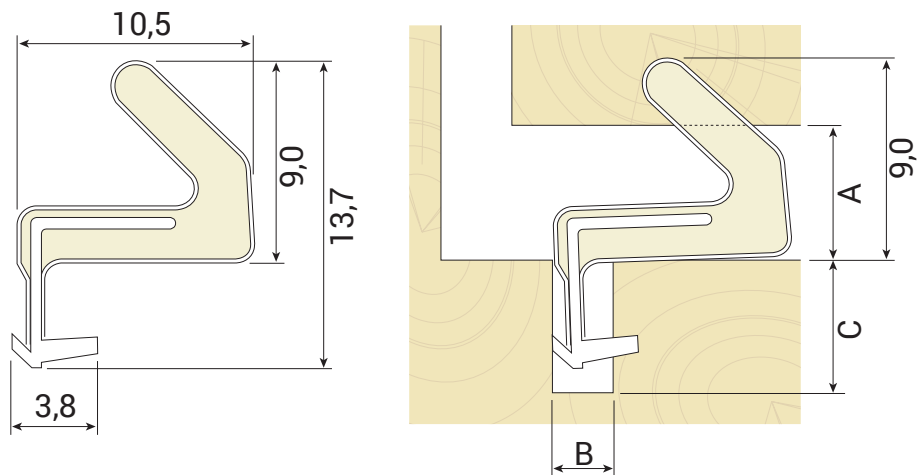
B Groove width: 3,0 – 3,3 mm nominal

C Minimum groove depth: 6,0 mm

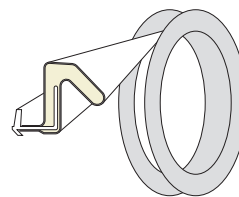
Rebate dimension: 10,5 mm

PACKAGING

250 / 300 m x 2



Coil direction



Colours (≈ RAL)			
7001	8019	9003	9005
Silver Grey	Brown	White	Black

Other colours upon request