

# Q-LON POLYURETHANE FOAM SEALS

## QL 3113 FR (2Q345)

### TECHNICAL SPECIFICATION

**A** Seal gap: 4,0 mm minimum to 7,5 mm maximum

**B** Groove width: 3,5 – 4,0 mm nominal

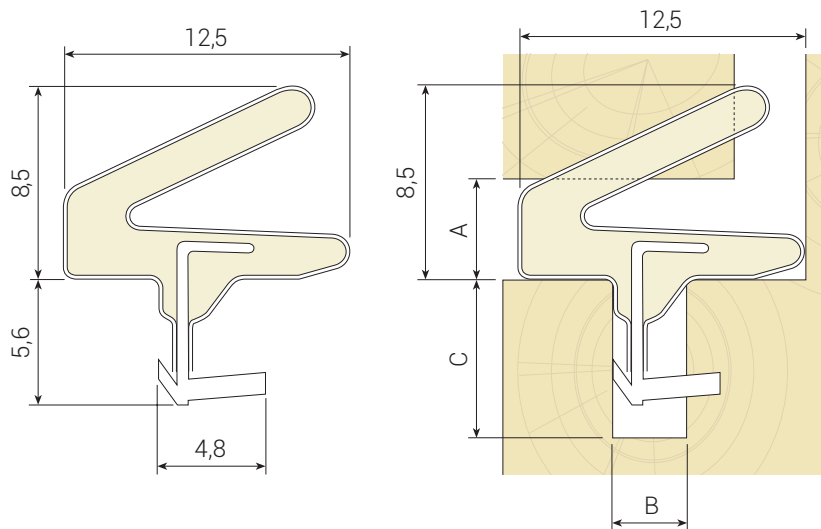
**C** Minimum groove depth: 7,0 mm

Rebate dimension: 11,0 mm

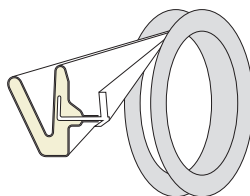


### PACKAGING

200 m x 2



Coil direction



Colours (≈ RAL)



Other colours upon request

03/2024 - V03

