

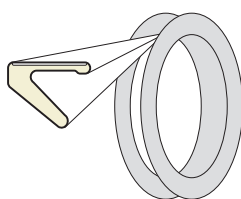
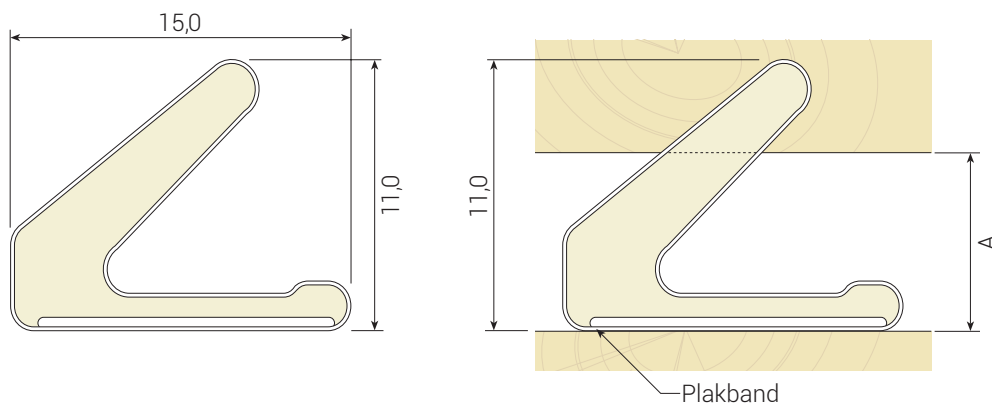
TECHNICAL SPECIFICATION

A Seal gap: 5,0 mm minimum to 10,0 mm maximum
Rebate dimension: 15,0 mm



PACKAGING

225 m x 2



Colours (≈ RAL)			
9003	9005	8019	7001
White	Black	Brown	Silver Grey

Other colours upon request