

# Q-LON POLYURETHANE FOAM SEALS: FOR INTERNAL DOORS/FURNITURE

# QL 3138

## TECHNICAL SPECIFICATION

**A** Seal gap: 3,0 mm minimum to 4,5 mm maximum

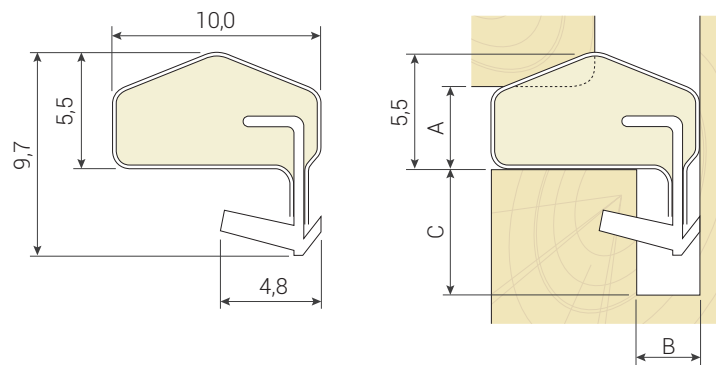
**B** Groove width: 3,0 – 4,0 mm nominal

**C** Minimum groove depth: 6,5 mm

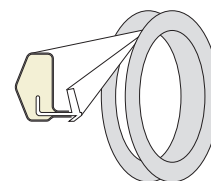
Rebate dimension: 10,0 mm

## PACKAGING

250 m x 2



Coil direction



### Colours (≈ RAL)



Other colours upon request

07/2019 - V02

