

Q-LON POLYURETHANE FOAM SEALS: INTERNAL DOORS / FURNITURE

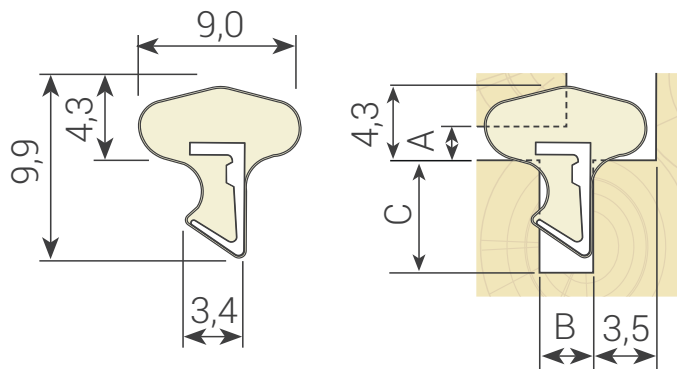
QL 45 (2Q995)

TECHNICAL SPECIFICATION

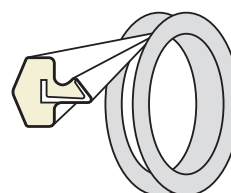
- A** Seal gap: 2,0 mm
 - B** Groove width: 3,0 mm
 - C** Minimum groove depth: 6,5 mm
- Rebate dimension: 9,0 mm

PACKAGING

250 m x 2



Coil direction



Colours (≈ RAL)			
7001	8019	9003	9005
Silver Grey	Brown	White	Black

Other colours upon request