

# Q-LON OVERLAP SEALS: FOR ALUMINIUM APPLICATIONS

## QL 46105

### TECHNICAL SPECIFICATION

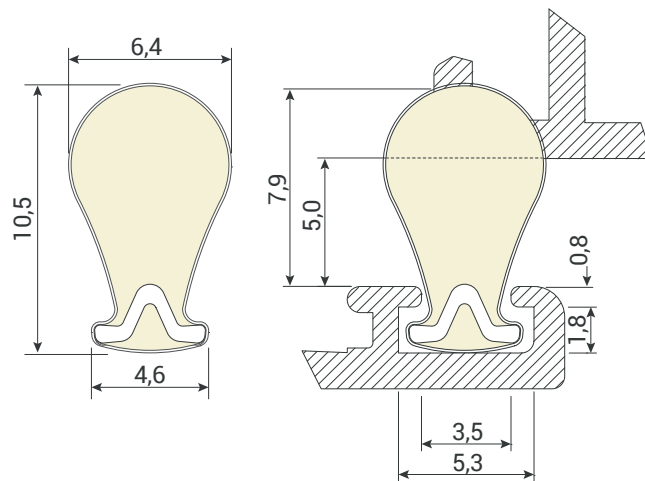
**Throat width:** 3 - 3,2 mm

**Groove width:** 5 - 5,6 mm

**Seal gap:** 5 - 5,5 mm

### PACKAGING

250 m x 2



Colours (≈ RAL)			
7001	7035	9003	9005
Silver Grey	Grey	White	Black

*Other colours upon request*