

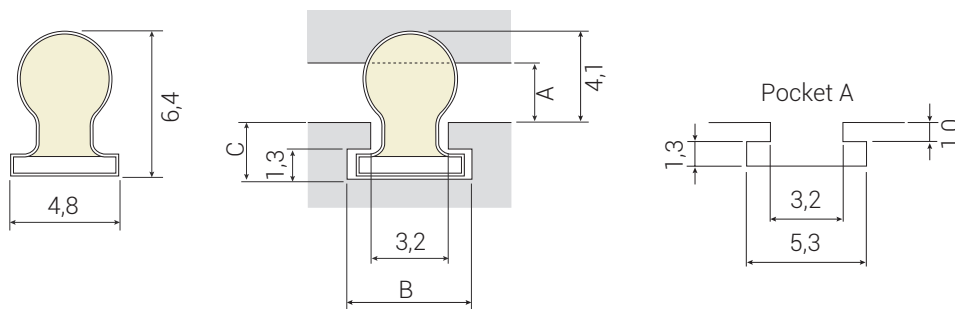
## TECHNICAL SPECIFICATION

- A** Seal gap: 1,8 mm minimum to 3,4 mm maximum
- B** Retention slot throat: 3,2 mm nominal
- C** Minimum slot depth: 2,3 mm

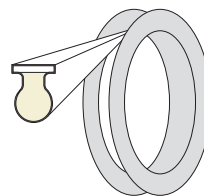


## PACKAGING

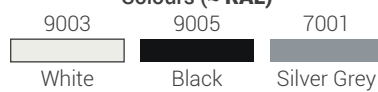
200 / 500 / 700 m x 2



Coil direction



### Colours (≈ RAL)



Other colours upon request