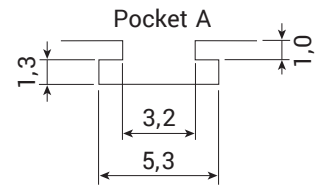
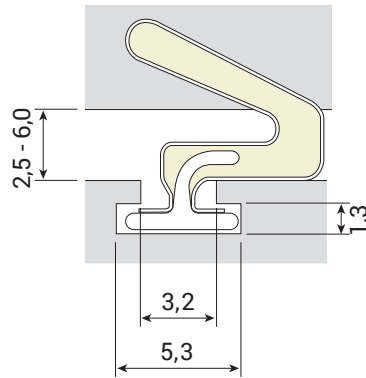
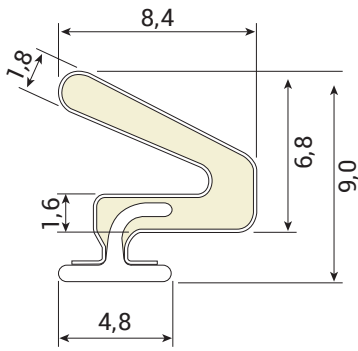


TECHNICAL SPECIFICATION

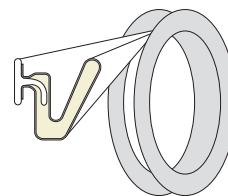
- A** Seal gap: 2,5 mm minimum to 6,0 mm maximum
- B** Retention slot throat: 3,2 mm nominal
- C** Minimum slot depth: 2,3 mm

PACKAGING

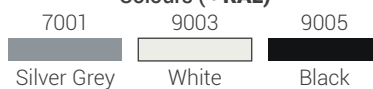
250 m x 2



Coil direction



Colours (≈ RAL)



Other colours upon request