

Q-LON POLYURETHANE FOAM SEALS: WINDOWS

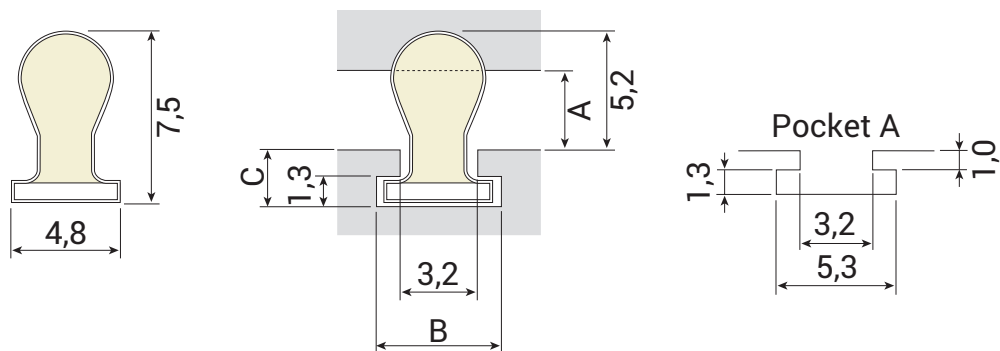
QL 48750
2Q553

TECHNICAL SPECIFICATION

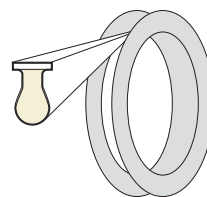
- A Seal gap: 2,7 mm minimum to 4,6 mm maximum
- B Retention slot throat: 3,2 mm nominal
- C Minimum slot depth: 2,3 mm

PACKAGING

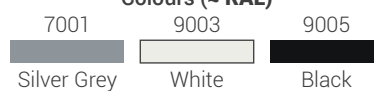
200 / 600 m x 2



Coil direction



Colours (\approx RAL)



Other colours upon request

02/2023 - V00

