

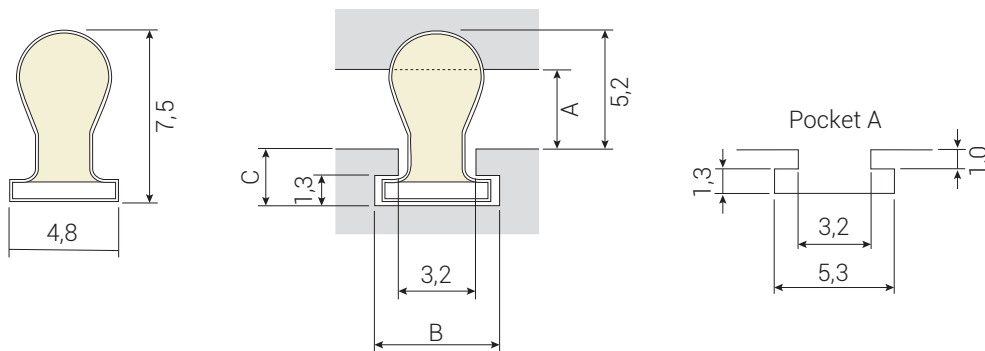
TECHNICAL SPECIFICATION

- A** Seal gap: 2,7 mm minimum to 4,6 mm maximum
- B** Retention slot throat: 3,2 mm nominal
- C** Minimum slot depth: 2,3 mm

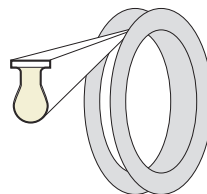


PACKAGING

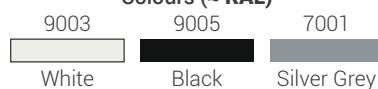
200 / 600 m x 2



Coil direction



Colours (≈ RAL)



Other colours upon request