

# Q-LON POLYURETHANE FOAM SEALS: INTERNAL DOORS / FURNITURE

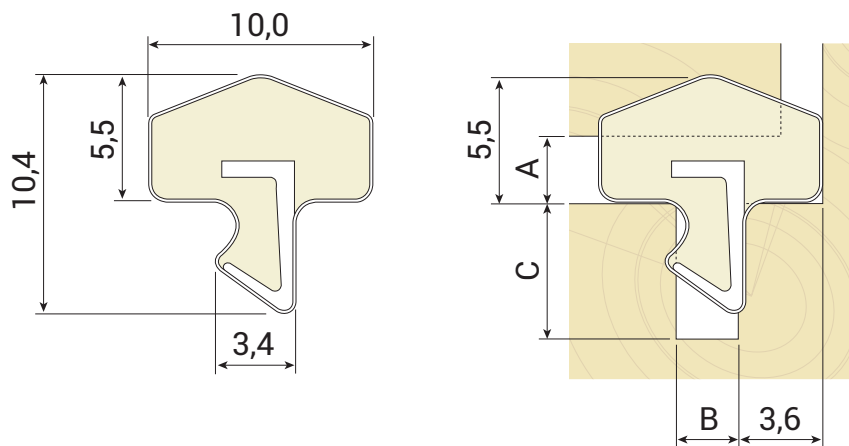
## QL 55 2Q595

### TECHNICAL SPECIFICATION

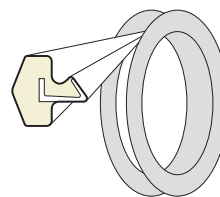
- A** Seal gap: 3,0 mm minimum to 4,5 mm maximum
  - B** Groove width: 2,7 – 3,0 mm nominal
  - C** Minimum groove depth: 6,0 mm
- Rebate dimension: 10,0 mm

### PACKAGING

250 m x 2



Coil direction



Colours (≈ RAL)			
7001	8019	9003	9005
Silver Grey	Brown	White	Black

Other colours upon request

02/2023 - V00

