

Q-LON POLYURETHANE FOAM SEALS: INTERNAL DOORS / FURNITURE

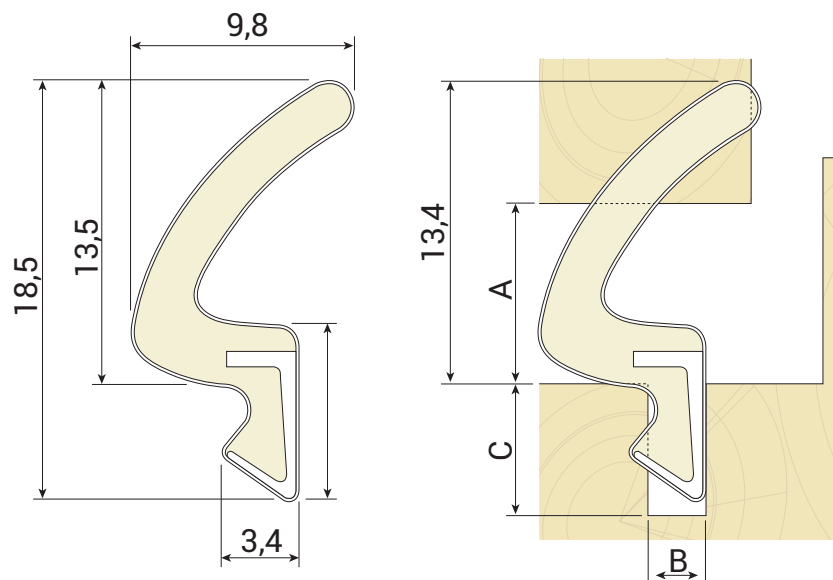
QL 7000
2Q749

TECHNICAL SPECIFICATION

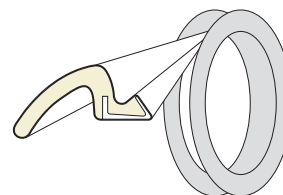
- A** Seal gap: 4,0 mm minimum to 10,8 mm maximum
 - B** Groove width: 2,7 – 3,0 mm nominal
 - C** Minimum groove depth: 6,0 mm
- Rebate dimension: 13,0 mm

PACKAGING

175 m x 2



Coil direction



Colours (≈ RAL)			
7001	8019	9003	9005
Silver Grey	Brown	White	Black

Other colours upon request