

TECHNICAL SPECIFICATION

A Seal gap: 4,8 mm minimum to 7,9 mm maximum

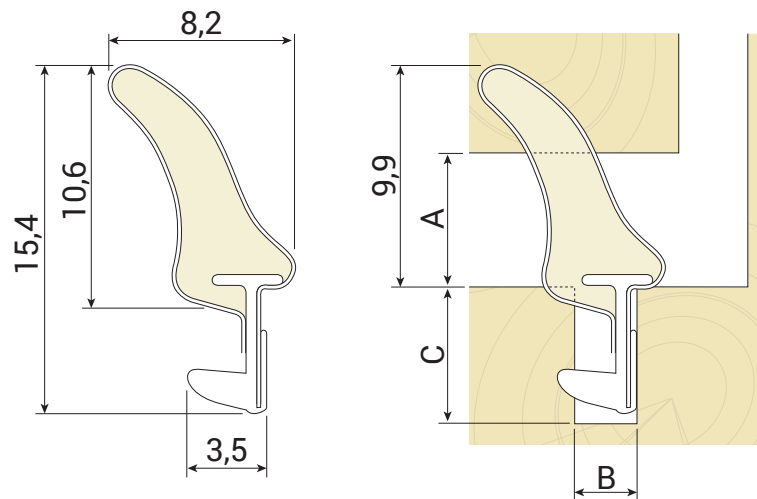
B Groove depth: 3,0 – 3,3 mm nominal

C Minimum groove depth: 6,0 mm

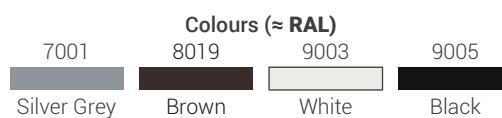
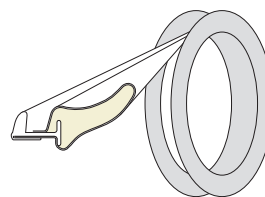
Rebate dimension: 12,0 mm

PACKAGING

300 m x 2



Coil direction



Other colours upon request