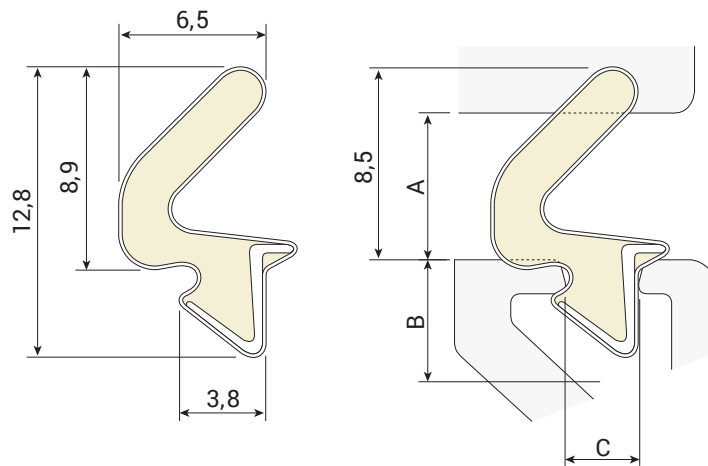


TECHNICAL SPECIFICATION

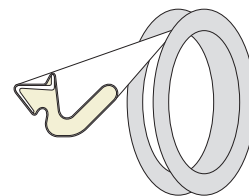
- A** Seal gap: 4,5 mm minimum to 7,1 mm maximum
- B** Minimum groove depth: 4,4 mm
- C** Retention slot throat: 3,2 mm nominal

PACKAGING

300 m x 2



Coil direction



Colours (≈ RAL)

7001	9003	9005
Silver Grey	White	Black

Other colours upon request