

Q-LON POLYURETHANE FOAM SEALS: DOORS

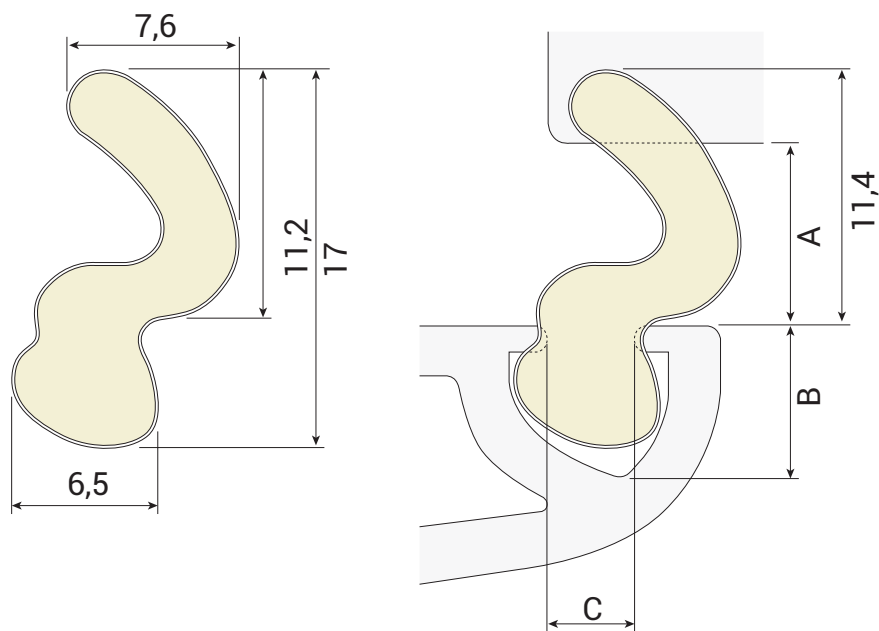
QL 9536
2Q861

TECHNICAL SPECIFICATION

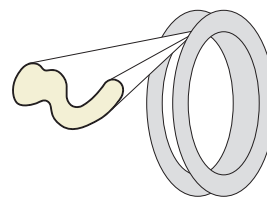
- A Seal gap: 4,0 mm minimum to 8,0 mm maximum
- B Minimum groove depth: 6,3 mm
- C Retention slot throat: 3,9 mm nominal

PACKAGING

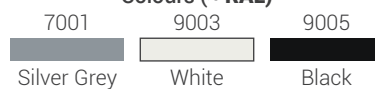
250 m x 2



Coil direction



Colours (\approx RAL)



Other colours upon request