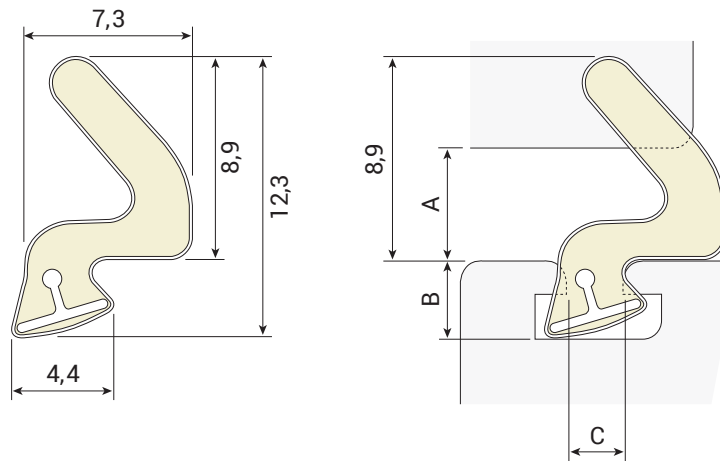


TECHNICAL SPECIFICATION

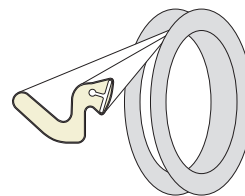
- A** Seal gap: 3,0 mm minimum to 7,0 mm maximum
- B** Minimum groove depth: 3,9 mm
- C** Retention slot throat: 2,8 mm nominal

PACKAGING

400 m x 2



Coil direction



Colours (\approx RAL)

| | | |
|-------------|-------|-------|
| 7001 | 9003 | 9005 |
| Silver Grey | White | Black |

Other colours upon request