

Q-LON POLYURETHANE FOAM SEALS: DOORS / WINDOWS

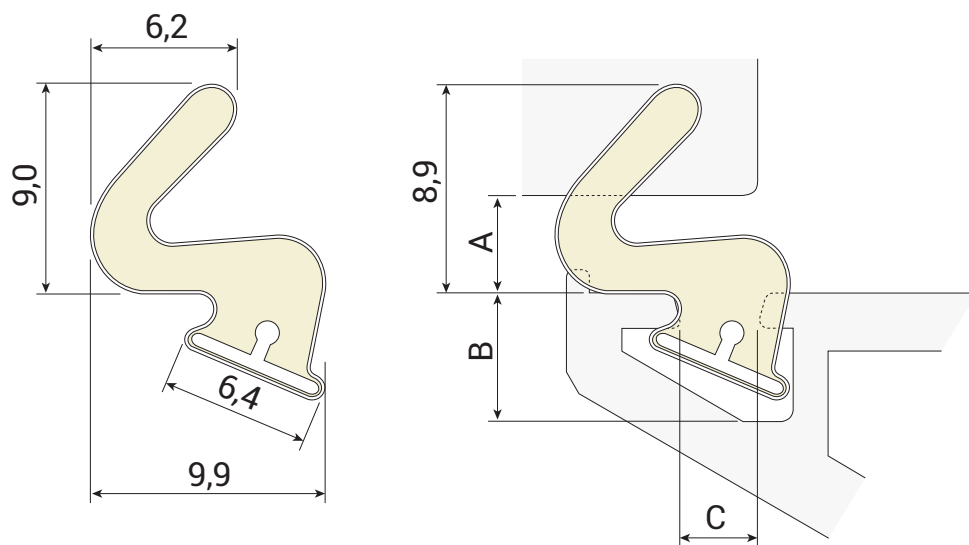
QL 9926
2Q931

TECHNICAL SPECIFICATION

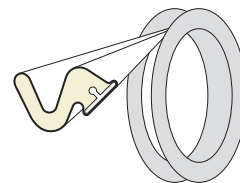
- A Seal gap: 3,0 mm minimum to 7,5 mm maximum
- B Minimum groove depth: 5,0 mm
- C Retention slot throat: 3,2 to 3,4 mm nominal

PACKAGING

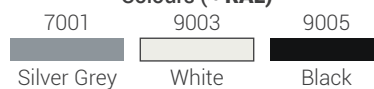
300 m x 2



Coil direction



Colours (\approx RAL)



Other colours upon request

02/2023 - V00

